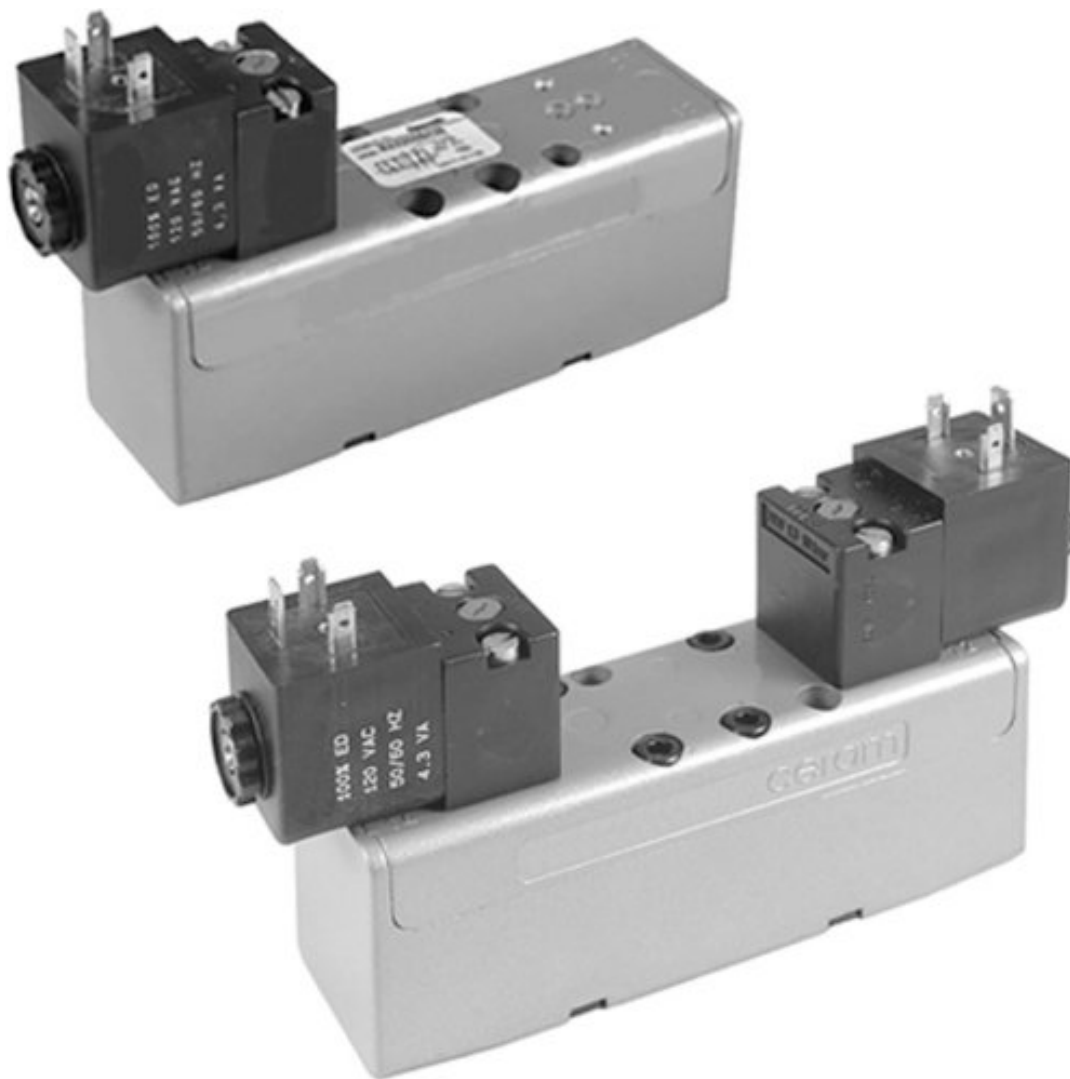


## Series CERAM™, size 1



AVENTICS™ Series CERAM™, size 1



# 5/2-directional valve, Series CERAM™, size 1

- 5/2
- Pilot valve width : 30 mm CNOMO
- Plate connection
- Electrical connection : Plug, EN 175301-803, form A
- Can be assembled into blocks
- Manual override : with detent, without detent
- single solenoid
- Pilot : Internal External



Activation	Electrically
Sealing principle	Ceramic
Blocking principle	Single base plate principle
Standards	ISO 5599-1, ISO 1
Working pressure min./max.	2 ... 10.3 bar
Control pressure min./max.	2 ... 10.3 bar
Ambient temperature min./max.	-15 ... 66 °C
Medium temperature min./max.	-15 ... 66 °C
Medium	Compressed air
Compressed air connection	according to ISO 5599-1
Protection class according to NEMA	NEMA 4
mounting screws	M5 with hexagon socket
Weight	See table below

## Technical data

Part No.	MO	Operational voltage	
		DC	AC 50 Hz
R432006439	T-R-T-R-T-R-T-R-T-R	12 V	-
R432006441		24 V	-
R432006448		-	24 V
R432006435		-	110 V
R432006437		-	220 V
R432002474		-	-
R432002477		-	-

Part No.	Operational voltage	Voltage tolerance		
		DC	AC 50 Hz	AC 60 Hz
R432006439	-	-10% / +10%	-	-
R432006441	-	-10% / +10%	-	-
R432006448	24 V	-	-10% / +10%	-10% / +10%
R432006435	120 V	-	-10% / +10%	-10% / +10%
R432006437	240 V	-	-10% / +10%	-10% / +10%
R432002474	-	-	-	-
R432002477	-	-	-	-

Part No.	Power consumption	Holding power	Holding power	Switch-on power
	DC	AC 50 Hz	AC 60 Hz	AC 50 Hz
R432006439	2.7 W	-	-	-
R432006441	2.7 W	-	-	-
R432006448	-	3.7 VA	3.7 VA	6.4 VA
R432006435	-	3.7 VA	3.7 VA	6.4 VA
R432006437	-	3.7 VA	3.7 VA	6.4 VA
R432002474	-	-	-	-
R432002477	-	-	-	-

Part No.	Switch-on power	Pilot	Valve plug connector
	AC 60 Hz		
R432006439	-	Internal	Without valve plug connector
R432006441	-	Internal	Without valve plug connector
R432006448	6.4 VA	Internal	Without valve plug connector
R432006435	6.4 VA	Internal	Without valve plug connector
R432006437	6.4 VA	Internal	Without valve plug connector
R432002474	-	External	Without valve plug connector
R432002477	-	Internal	Without valve plug connector

Part No.	basic valve with electrical connector	Weight
R432006439	-	1.22 kg
R432006441	-	1.22 kg
R432006448	-	1.22 kg
R432006435	-	1.22 kg
R432006437	-	1.22 kg
R432002474	Basic valve without coil	1.12 kg
R432002477	Basic valve without coil	1.12 kg

Nominal flow  $Q_n$  at 6 bar and  $\Delta p = 1$  bar

MO = Manual override

## Technical information

The min. control pressure must be adhered to, since otherwise faulty switching and valve failure may result!

The pressure dew point must be at least 15 °C under ambient and medium temperature and may not exceed 3 °C .

The oil content of compressed air must remain constant during the life cycle.

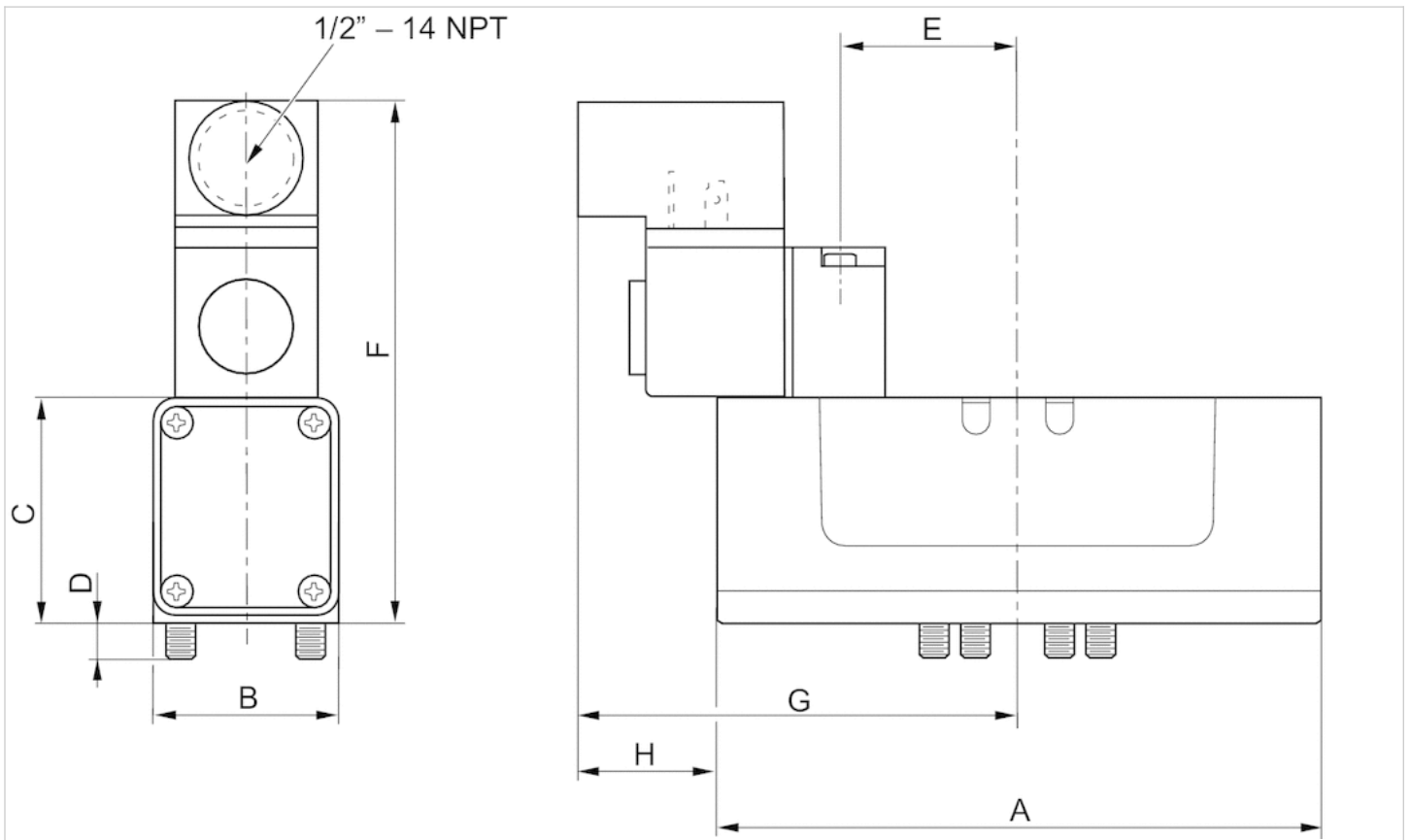
Use only the approved oils from AVENTICS. Further information can be found in the "Technical information" document (available in the MediaCentre).

## Technical information

Material	
Housing	Die cast zinc, painted gray Die-cast aluminum, painted gray

## Dimensions

### Dimensions in inches



### Dimensions in inches

Part No.	A	B	C	D	E	F	G	H
R432006439	5.12	1.57	1.89	0.31	1.52	4.53	3.48	1.20
R432006441	5.12	1.57	1.89	0.31	1.52	4.53	3.48	1.20
R432006448	5.12	1.57	1.89	0.31	1.52	4.53	3.48	1.20
R432006435	5.12	1.57	1.89	0.31	1.52	4.53	3.48	1.20
R432006437	5.12	1.57	1.89	0.31	1.52	4.53	3.48	1.20
R432002474	5.12	1.57	1.89	0.31	1.52	4.53	3.48	1.20
R432002477	5.12	1.57	1.89	0.31	1.52	4.53	3.48	1.20








# 5/2-directional valve, Series CERAM™, size 1

- 5/2
- Qn = 1100 l/min
- Pilot valve width : 30 mm CNOMO
- Plate connection
- Electrical connection : Plug, EN 175301-803, form A
- Can be assembled into blocks
- Manual override : with detent, without detent
- single solenoid
- With air spring return
- Pilot : Internal External



Activation	Electrically
Sealing principle	Ceramic
Blocking principle	Single base plate principle
Standards	ISO 5599-1, ISO 1
Working pressure min./max.	0 ... 10.3 bar
Control pressure min./max.	2 ... 10.3 bar
Ambient temperature min./max.	-15 ... 66 °C
Medium temperature min./max.	-15 ... 66 °C
Medium	Compressed air
Nominal flow Qn	1100 l/min
Compressed air connection	according to ISO 5599-1
Protection class with connection	IP65
Protection class according to NEMA	NEMA 4
mounting screws	M5 with hexagon socket
Mounting screw tightening torque	2.2 Nm
Weight	See table below

## Technical data

Part No.		MO	Operational voltage	
			DC	AC 50 Hz
R432006440		T-R-T-R-T-R-T-R-T-R-T-R	12 V	-
R432006442			24 V	-
R432006449			-	24 V
R432006436			-	110 V
R432006438			-	220 V
R432002475			-	-
R432002478			-	-

Part No.	Operational voltage	Voltage tolerance		
		DC	AC 50 Hz	AC 60 Hz
	AC 60 Hz			
R432006440	-	-10% / +10%	-	-
R432006442	-	-10% / +10%	-	-
R432006449	24 V	-	-10% / +10%	-10% / +10%
R432006436	120 V	-	-10% / +10%	-10% / +10%
R432006438	240 V	-	-10% / +10%	-10% / +10%
R432002475	-	-	-	-
R432002478	-	-	-	-

Part No.	Power consumption		Holding power		Switch-on power
	DC	AC 50 Hz	AC 50 Hz	AC 60 Hz	AC 50 Hz
R432006440	2.7 W	-	-	-	-
R432006442	2.7 W	-	-	-	-
R432006449	-	3.7 VA	3.7 VA	3.7 VA	6.4 VA
R432006436	-	3.7 VA	3.7 VA	3.7 VA	6.4 VA
R432006438	-	3.7 VA	3.7 VA	3.7 VA	6.4 VA
R432002475	-	-	-	-	-
R432002478	-	-	-	-	-

Part No.	Switch-on power		Pilot	Valve plug connector
	AC 60 Hz			
R432006440	-		Internal	Without valve plug connector
R432006442	-		Internal	Without valve plug connector
R432006449	6.4 VA		Internal	Without valve plug connector
R432006436	6.4 VA		Internal	Without valve plug connector
R432006438	6.4 VA		Internal	Without valve plug connector
R432002475	-		External	Without valve plug connector
R432002478	-		Internal	Without valve plug connector

Part No.	basic valve with electrical connector	Weight
R432006440	-	1.11 kg
R432006442	-	1.11 kg
R432006449	-	1.11 kg
R432006436	-	1.11 kg
R432006438	-	1.11 kg

Part No.	basic valve with electrical connector	Weight
R432002475	Basic valve without coil	1.12 kg
R432002478	Basic valve without coil	1.16 kg

Nominal flow Qn at 6 bar and  $\Delta p = 1$  bar

MO = Manual override

## Technical information

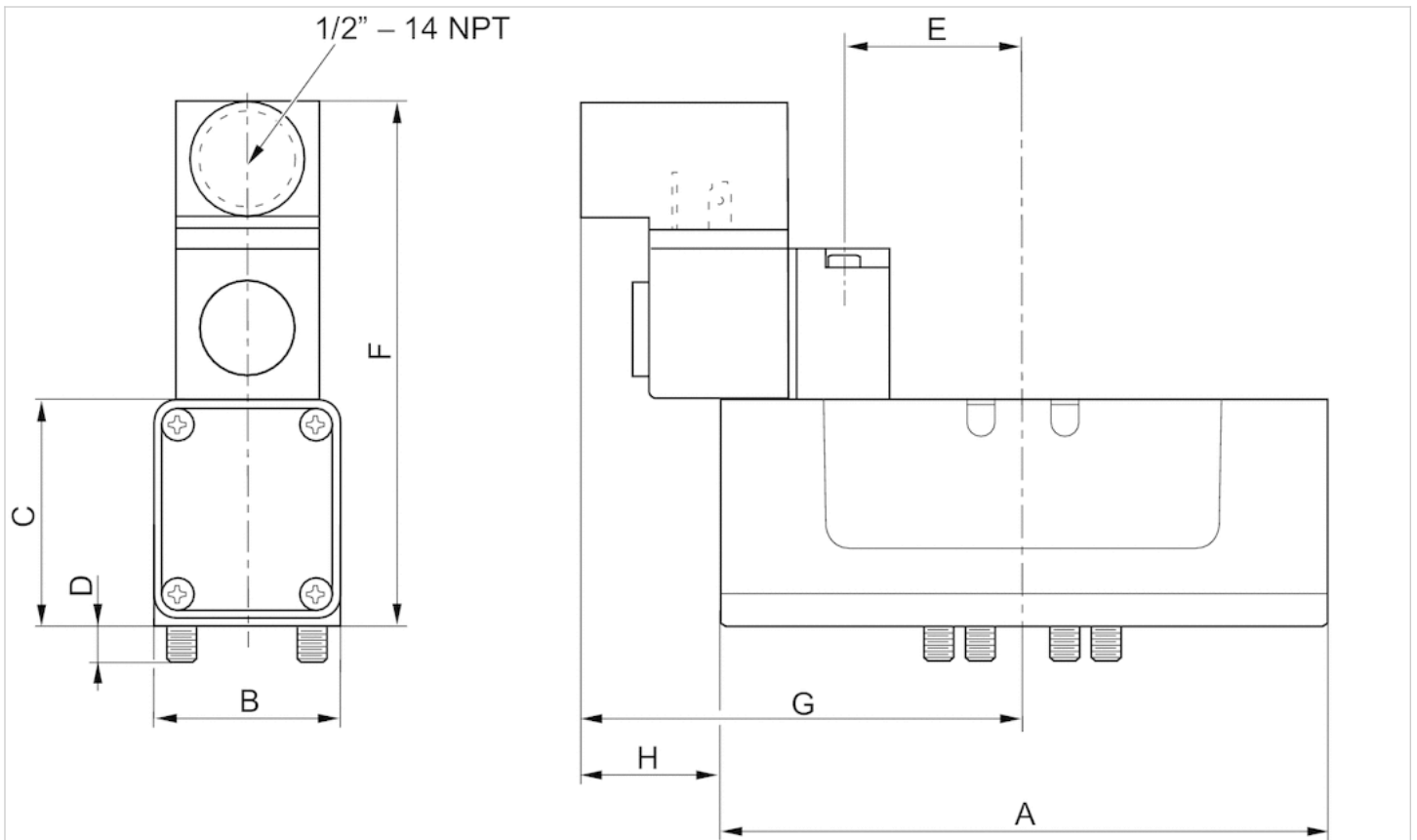
The min. control pressure must be adhered to, since otherwise faulty switching and valve failure may result!  
 The pressure dew point must be at least 15 °C under ambient and medium temperature and may not exceed 3 °C .  
 The oil content of compressed air must remain constant during the life cycle.  
 Use only the approved oils from AVENTICS. Further information can be found in the "Technical information" document (available in the MediaCentre).

## Technical information

Material	
Housing	Die cast zinc, painted gray Die-cast aluminum, painted gray

## Dimensions

### Dimensions in inches



## Dimensions in inches

Part No.	A	B	C	D	E	F	G	H
R432006440	5.12	1.57	1.89	0.31	1.52	4.53	3.48	1.20
R432006442	5.12	1.57	1.89	0.31	1.52	4.53	3.48	1.20
R432006449	5.12	1.57	1.89	0.31	1.52	4.53	3.48	1.20
R432006436	5.12	1.57	1.89	0.31	1.52	4.53	3.48	1.20
R432006438	5.12	1.57	1.89	0.31	1.52	4.53	3.48	1.20
-	-	-	-	-	-	-	-	-
R432002478	5.12	1.57	1.89	0.31	1.52	4.53	3.48	1.20



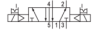
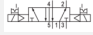
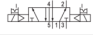
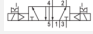
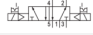
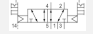

# 5/2-directional valve, Series CERAM™, size 1

- 5/2
- Qn = 1100 l/min
- Pilot valve width : 30 mm CNOMO
- Plate connection
- Electrical connection : Plug, EN 175301-803, form A
- Can be assembled into blocks
- Manual override : with detent
- double solenoid
- Pilot : External



Activation	Electrically
Sealing principle	Ceramic
Blocking principle	Single base plate principle
Standards	ISO 5599-1, ISO 1
Working pressure min./max.	2 ... 10.3 bar
Control pressure min./max.	2 ... 10.3 bar
Ambient temperature min./max.	-15 ... 66 °C
Medium temperature min./max.	-15 ... 66 °C
Medium	Compressed air
Nominal flow Qn	1100 l/min
Compressed air connection	according to ISO 5599-1
Protection class with connection	IP65
Protection class according to NEMA	NEMA 4
Typ. switch-on time	40 ms
Typ. switch-off time	53 ms
mounting screws	M5 with hexagon socket
Mounting screw tightening torque	2.2 Nm
Weight	See table below

## Technical data

Part No.		MO	Operational voltage	
			DC	AC 50 Hz
R432006473		T-R-T-R-T-R-T-R-T-R-T-R	12 V	-
R432006474			24 V	-
R432006478			-	24 V
R432006471			-	110 V
R432006472			-	220 V
R432002476			-	-
R432002479			-	-

Part No.	Operational voltage	Voltage tolerance		
		DC	AC 50 Hz	AC 60 Hz
	AC 60 Hz			
R432006473	-	-10% / +10%	-	-
R432006474	-	-10% / +10%	-	-
R432006478	24 V	-	-10% / +10%	-10% / +10%
R432006471	120 V	-	-10% / +10%	-10% / +10%
R432006472	240 V	-	-10% / +10%	-10% / +10%
R432002476	-	-	-	-
R432002479	-	-	-	-

Part No.	Power consumption		Holding power		Switch-on power
	DC	AC 50 Hz	AC 50 Hz	AC 60 Hz	AC 50 Hz
R432006473	2.7 W	-	-	-	-
R432006474	2.7 W	-	-	-	-
R432006478	-	3.7 VA	3.7 VA	3.7 VA	6.4 VA
R432006471	-	3.7 VA	3.7 VA	3.7 VA	6.4 VA
R432006472	-	3.7 VA	3.7 VA	3.7 VA	6.4 VA
R432002476	-	-	-	-	-
R432002479	-	-	-	-	-

Part No.	Switch-on power		Pilot	Valve plug connector
	DC	AC 60 Hz		
R432006473	-	-	-	Without valve plug connector
R432006474	-	-	-	Without valve plug connector
R432006478	6.4 VA	-	-	Without valve plug connector
R432006471	6.4 VA	-	-	Without valve plug connector
R432006472	6.4 VA	-	-	Without valve plug connector
R432002476	-	-	External	Without valve plug connector
R432002479	-	-	-	Without valve plug connector

Part No.	basic valve with electrical connector	Weight
R432006473	-	1.42 kg
R432006474	-	1.42 kg
R432006478	-	1.42 kg
R432006471	-	1.42 kg
R432006472	-	1.42 kg

Part No.	basic valve with electrical connector	Weight
R432002476	Basic valve without coil	1.12 kg
R432002479	Basic valve without coil	1.22 kg

Nominal flow  $Q_n$  at 6 bar and  $\Delta p = 1$  bar

MO = Manual override

## Technical information

The min. control pressure must be adhered to, since otherwise faulty switching and valve failure may result!

The pressure dew point must be at least 15 °C under ambient and medium temperature and may not exceed 3 °C .

The oil content of compressed air must remain constant during the life cycle.

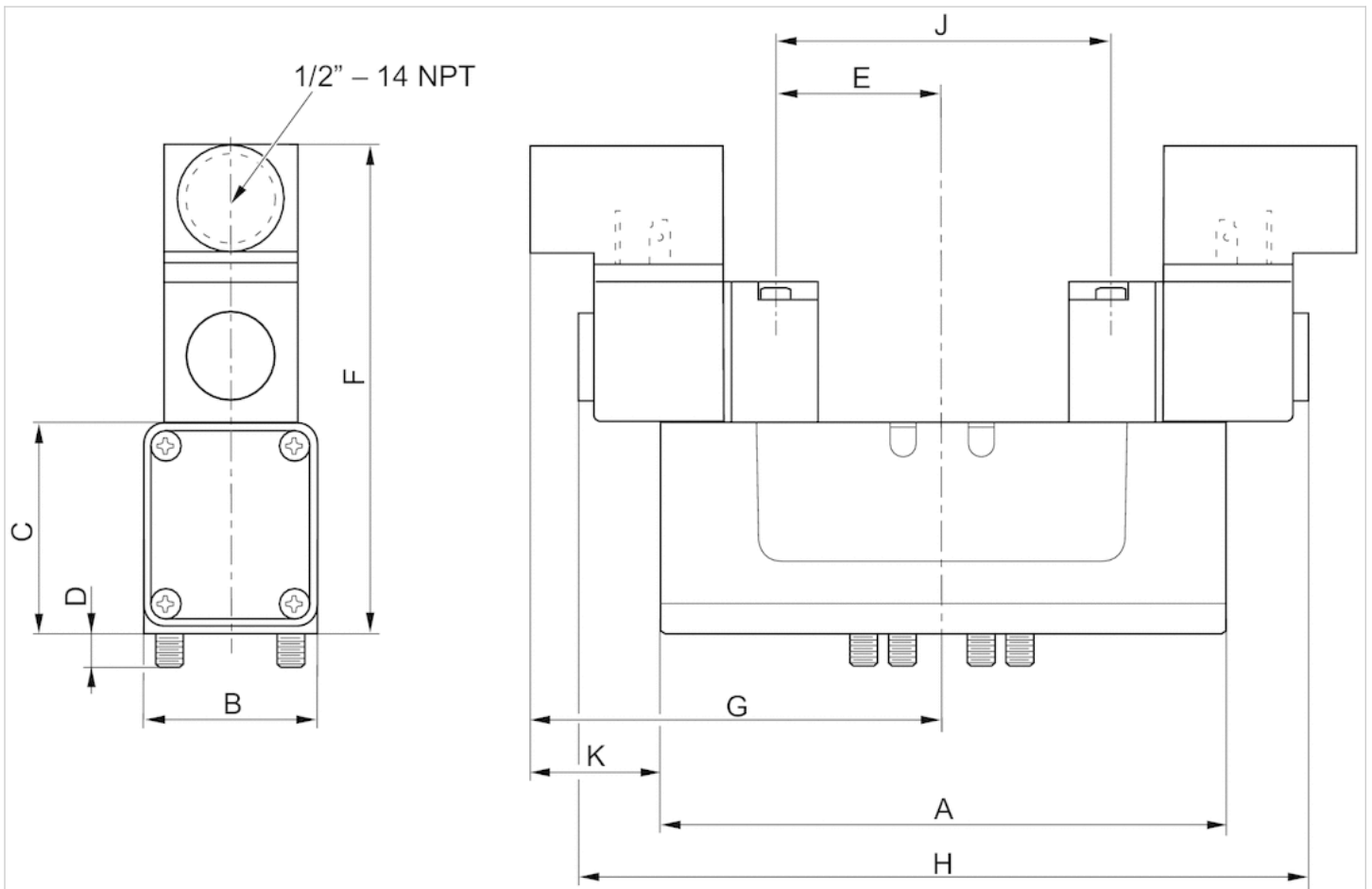
Use only the approved oils from AVENTICS. Further information can be found in the "Technical information" document (available in the MediaCentre).

## Technical information

Material	
Housing	Die cast zinc, painted gray Die-cast aluminum, painted gray
Seals	Acrylonitrile butadiene rubber

## Dimensions

### Dimensions in inches



### Dimensions in inches

Part No.	A	B	C	D	E	F	G	H	J	K
R432006473	5.12	1.57	1.89	0.31	1.52	4.53	3.48	6.97	3.03	1.2
R432006474	5.12	1.57	1.89	0.31	1.52	4.53	3.48	6.97	3.03	1.2
R432006478	5.12	1.57	1.89	0.31	1.52	4.53	3.48	6.97	3.03	1.2
R432006471	5.12	1.57	1.89	0.31	1.52	4.53	3.48	6.97	3.03	1.2
R432006472	5.12	1.57	1.89	0.31	1.52	4.53	3.48	6.97	3.03	1.2
-	-	-	-	-	-	-	-	-	-	-
R432002479	5.12	1.57	1.89	0.31	1.52	4.53	3.48	6.97	3.03	1.2



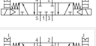
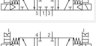

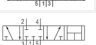

# 5/3-directional valve, Series CERAM™, size 1

- 5/3
- $Q_n = 1100$  l/min
- Pilot valve width : 30 mm CNOMO
- closed center
- Plate connection
- Electrical connection : Plug, EN 175301-803, form A
- Can be assembled into blocks
- Manual override : with detent, without detent
- double solenoid
- Pilot : Internal External



Activation	Electrically
Sealing principle	Ceramic
Blocking principle	Single base plate principle
Standards	ISO 5599-1, ISO 1
Working pressure min./max.	See table below
Control pressure min./max.	0 ... 10.3 bar
Ambient temperature min./max.	-15 ... 66 °C
Medium temperature min./max.	-15 ... 66 °C
Medium	Compressed air
Nominal flow $Q_n$	1100 l/min
Compressed air connection	according to ISO 5599-1
Protection class with connection	IP65
Protection class according to NEMA	NEMA 4
mounting screws	M5 with hexagon socket
Mounting screw tightening torque	2.2 Nm
Weight	See table below

## Technical data

Part No.	MO	Operational voltage	Operational voltage
R432006384		12 V	-
R432006385		24 V	-
R432006388		-	24 V
R432006382		-	110 V
R432006383		-	220 V
R432002473		-	-
R432002471		-	-

Part No.	Operational voltage	Voltage tolerance		
		DC	AC 50 Hz	AC 60 Hz
R432006384	-	-10% / +10%	-	-
R432006385	-	-10% / +10%	-	-
R432006388	24 V	-	-10% / +10%	-10% / +10%
R432006382	120 V	-	-10% / +10%	-10% / +10%
R432006383	240 V	-	-10% / +10%	-10% / +10%
R432002473	-	-	-	-
R432002471	-	-	-	-

Part No.	Power consumption		Holding power		Switch-on power
	DC	AC 50 Hz	AC 50 Hz	AC 60 Hz	AC 50 Hz
R432006384	2.7 W	-	-	-	-
R432006385	2.7 W	-	-	-	-
R432006388	-	3.7 VA	3.7 VA	3.7 VA	6.4 VA
R432006382	-	3.7 VA	3.7 VA	3.7 VA	6.4 VA
R432006383	-	3.7 VA	3.7 VA	3.7 VA	6.4 VA
R432002473	-	-	-	-	-
R432002471	-	-	-	-	-

Part No.	Switch-on power		Pilot	Working pressure min./max.	Valve plug connector
	AC 60 Hz				
R432006384	-		Internal	3 ... 10.3 bar	Without valve plug connector
R432006385	-		Internal	3 ... 10.3 bar	Without valve plug connector
R432006388	6.4 VA		Internal	3 ... 10.3 bar	Without valve plug connector
R432006382	6.4 VA		Internal	3 ... 10.3 bar	Without valve plug connector
R432006383	6.4 VA		Internal	3 ... 10.3 bar	Without valve plug connector
R432002473	-		Internal	3 ... 10.3 bar	Without valve plug connector
R432002471	-		External	-0.8 ... 10.3 bar	Without valve plug connector

Part No.	basic valve with electrical connector	Weight
R432006384	-	1.45 kg
R432006385	-	1.45 kg
R432006388	-	1.45 kg
R432006382	-	1.45 kg
R432006383	-	1.45 kg

Part No.	basic valve with electrical connector	Weight
R432002473	Basic valve without coil	1.29 kg
R432002471	Basic valve without coil	1.12 kg

Nominal flow Qn at 6 bar and  $\Delta p = 1$  bar

MO = Manual override

## Technical information

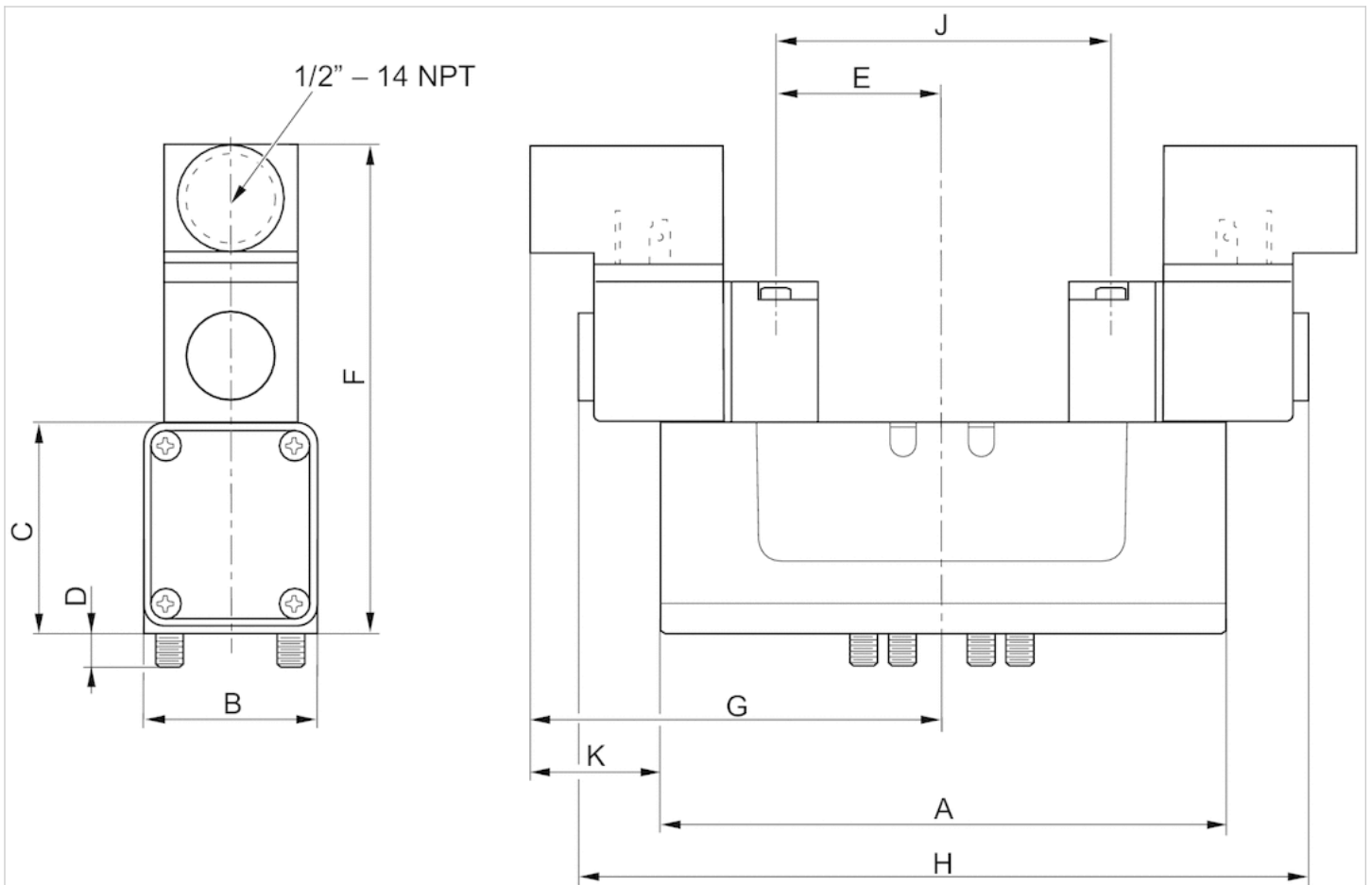
The min. control pressure must be adhered to, since otherwise faulty switching and valve failure may result!  
 The pressure dew point must be at least 15 °C under ambient and medium temperature and may not exceed 3 °C .  
 The oil content of compressed air must remain constant during the life cycle.  
 Use only the approved oils from AVENTICS. Further information can be found in the "Technical information" document (available in the MediaCentre).

## Technical information

Material	
Housing	Die cast zinc, painted gray Die-cast aluminum, painted gray

## Dimensions

### Dimensions in inches



## Dimensions in inches

Part No.	A	B	C	D	E	F	G	H	J	K
R432006384	5.12	1.57	1.89	0.31	1.52	4.53	3.48	6.97	3.03	1.2
R432006385	5.12	1.57	1.89	0.31	1.52	4.53	3.48	6.97	3.03	1.2
R432006388	5.12	1.57	1.89	0.31	1.52	4.53	3.48	6.97	3.03	1.2
R432006382	5.12	1.57	1.89	0.31	1.52	4.53	3.48	6.97	3.03	1.2
R432006383	5.12	1.57	1.89	0.31	1.52	4.53	3.48	6.97	3.03	1.2
R432002473	5.12	1.57	1.89	0.31	1.52	4.53	3.48	6.97	3.03	1.2
-	-	-	-	-	-	-	-	-	-	-



# 5/3-directional valve, Series CERAM™, size 1

- 5/3
- $Q_n = 1100$  l/min
- Pilot valve width : 30 mm
- exhausted center
- Plate connection
- Electrical connection : Plug, EN 175301-803, form A
- Can be assembled into blocks
- Manual override : with detent, without detent
- double solenoid
- Pilot : Internal External



Activation	Electrically
Sealing principle	Ceramic
Blocking principle	Single base plate principle
Standards	ISO 5599-1, ISO 1
Working pressure min./max.	See table below
Control pressure min./max.	See table below
Ambient temperature min./max.	-15 ... 66 °C
Medium temperature min./max.	-15 ... 66 °C
Medium	Compressed air
Nominal flow $Q_n$	1100 l/min
Compressed air connection	according to ISO 5599-1
Protection class with connection	IP65
Protection class according to NEMA	NEMA 4
mounting screws	M5 with hexagon socket
Mounting screw tightening torque	2.2 Nm
Weight	See table below



Part No.	Control pressure min./max.	Valve plug connector
R432002472	2 ... 10.3 bar	Without valve plug connector
R432002470	-0.95 ... 10.3 bar	Without valve plug connector

Part No.	basic valve with electrical connector	Weight
R432006367	-	1.48 kg
R432006368	-	1.48 kg
R432006371	-	1.48 kg
R432006365	-	1.48 kg
R432006366	-	1.48 kg
R432002472	Basic valve without coil	1.28 kg
R432002470	Basic valve without coil	1.12 kg

Nominal flow  $Q_n$  at 6 bar and  $\Delta p = 1$  bar

MO = Manual override

## Technical information

The min. control pressure must be adhered to, since otherwise faulty switching and valve failure may result!

The pressure dew point must be at least 15 °C under ambient and medium temperature and may not exceed 3 °C .

The oil content of compressed air must remain constant during the life cycle.

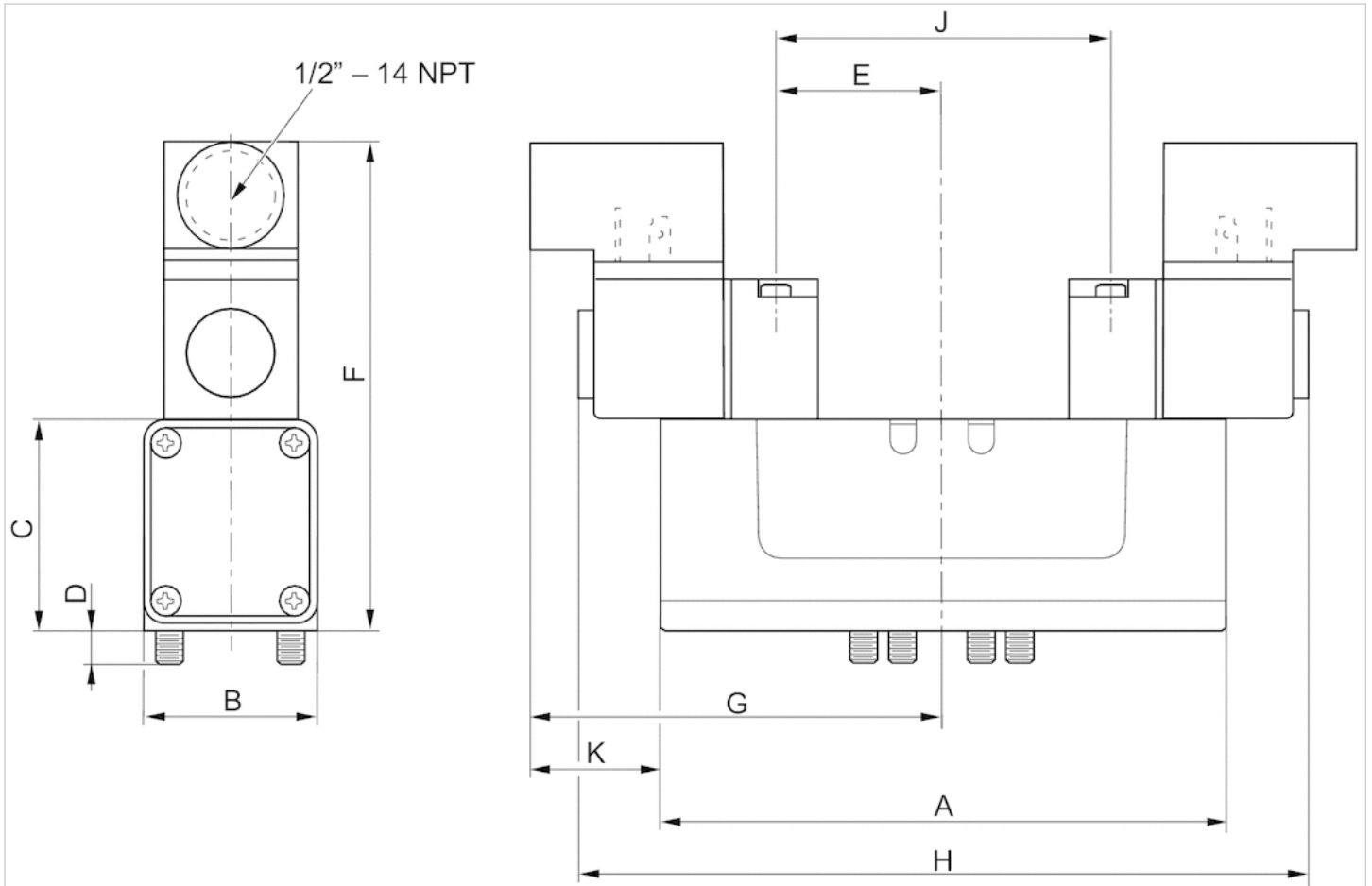
Use only the approved oils from AVENTICS. Further information can be found in the "Technical information" document (available in the MediaCentre).

## Technical information

Material	
Housing	Die cast zinc, painted gray Die-cast aluminum, painted gray
Seals	Acrylonitrile butadiene rubber

## Dimensions

### Dimensions in inches



### Dimensions in inches

Part No.	A	B	C	D	E	F	G	H	J	K
R432006367	5.12	1.57	1.89	0.31	1.52	4.52	3.48	6.97	3.03	1.2
R432006368	5.12	1.57	1.89	0.31	1.52	4.52	3.48	6.97	3.03	1.2
R432006371	5.12	1.57	1.89	0.31	1.52	4.52	3.48	6.97	3.03	1.2
R432006365	5.12	1.57	1.89	0.31	1.52	4.52	3.48	6.97	3.03	1.2
R432006366	5.12	1.57	1.89	0.31	1.52	4.52	3.48	6.97	3.03	1.2
R432002472	5.12	1.57	1.89	0.31	1.52	4.52	3.48	6.97	3.03	1.2
-	-	-	-	-	-	-	-	-	-	-

# End plate right, Inch version

- standard ISO 5599-1
- Frame size ISO 1 ISO 2 ISO 3
- type C



Standards	ISO 5599-1
Working pressure min./max.	-0.95 ... 16 bar
Ambient temperature min./max.	-15 ... 70 °C
Medium temperature min./max.	-15 ... 70 °C
Medium	Compressed air
Weight	See table below

## Technical data

Part No.	Frame size	Compressed air connection Input [1]	Compressed air connection Exhaust [3 / 5]	Weight
R432037652	ISO 1	3/8 NPT	3/8 NPT	0.32 kg
R432037654	ISO 2	3/4 NPT	3/4 NPT	0.491 kg
R432037656	ISO 3	1 NPT	1 NPT	1.32 kg

Scope of delivery incl. seal and mounting screws

## Technical information

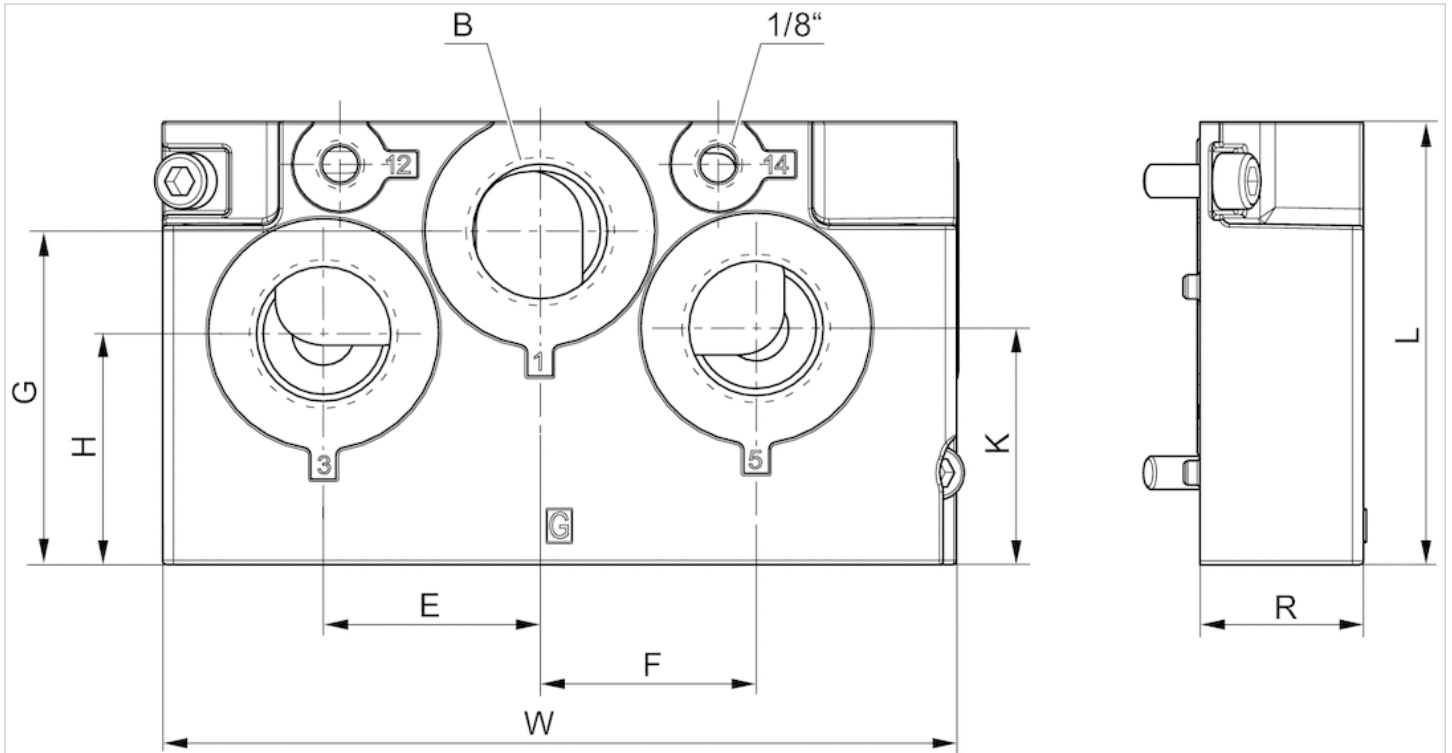
The min. control pressure must be adhered to, since otherwise faulty switching and valve failure may result!  
 The pressure dew point must be at least 15 °C under ambient and medium temperature and may not exceed 3 °C .  
 The oil content of compressed air must remain constant during the life cycle.  
 Use only the approved oils from AVENTICS. Further information can be found in the "Technical information" document (available in the MediaCentre).

## Technical information

Material	
Surface	Painted
Base plate	Die-cast aluminum, black painted
Seal	Acrylonitrile butadiene rubber

## Dimensions

### Dimensions



## Dimensions

Part No.	E	F	G	H	J	K	W	Frame size
R432037652	23	18	15.5	30	20	37.5	135	ISO 1
R432037654	39	39	60	41.5	38	42.5	143	ISO 2
R432037656	49	49	76	53	32	53	53	ISO 3

# End plate left

- standard ISO 5599-1
- Frame size ISO 1 ISO 2 ISO 3
- type C



Standards	ISO 5599-1
Working pressure min./max.	-0.95 ... 16 bar
Ambient temperature min./max.	-15 ... 70 °C
Medium temperature min./max.	-15 ... 70 °C
Medium	Compressed air
Weight	See table below

## Technical data

Part No.	Frame size	Compressed air connection Input [1]	Compressed air connection Exhaust [3 / 5]	Weight
R432037646	ISO 1	3/8 NPT	3/8 NPT	0.309 kg
R432037648	ISO 2	3/4 NPT	3/4 NPT	0.509 kg
R432037650	ISO 3	1 NPT	1 NPT	1.31 kg

Scope of delivery incl. seal and mounting screws

## Technical information

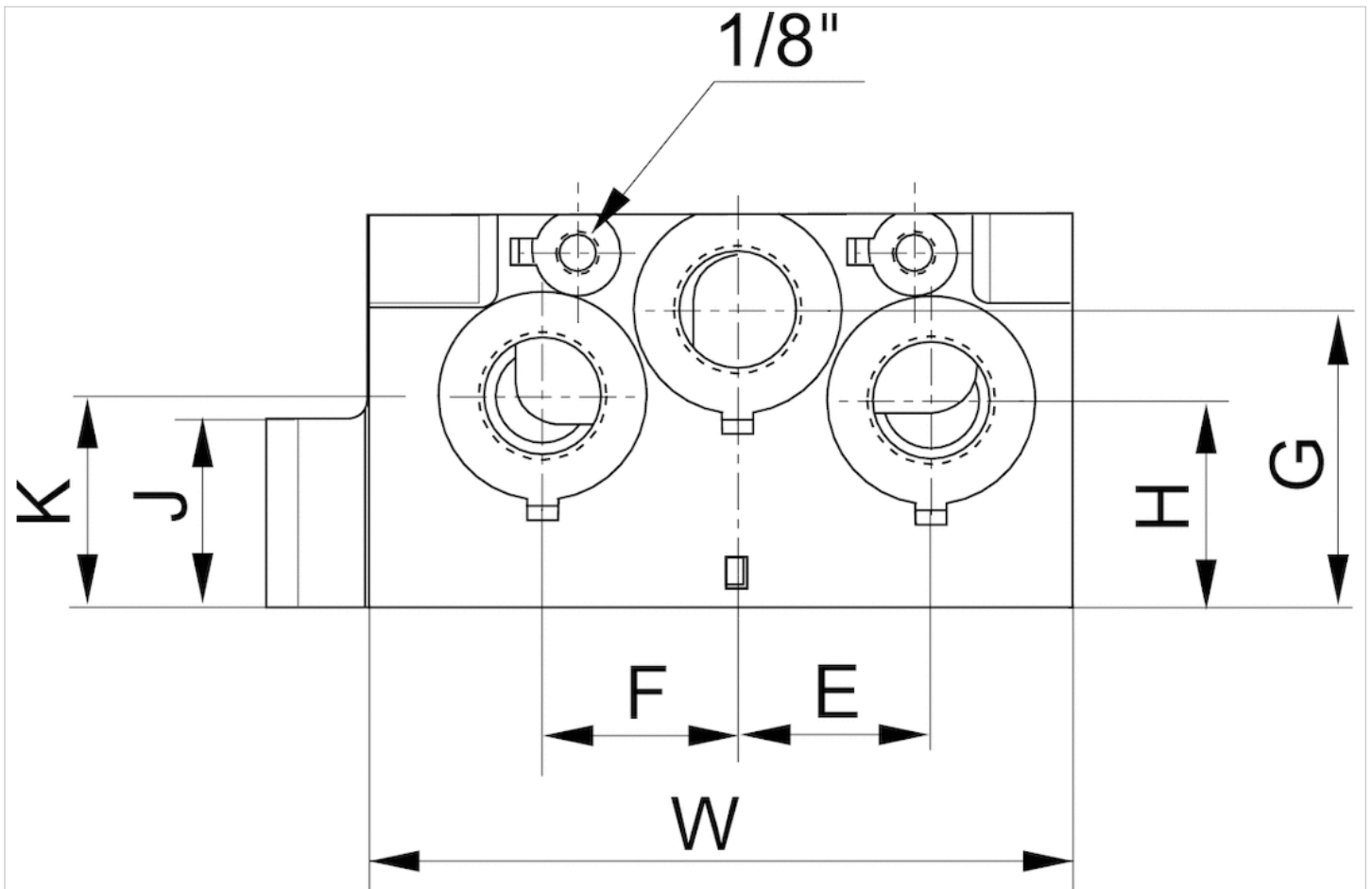
The min. control pressure must be adhered to, since otherwise faulty switching and valve failure may result!  
 The pressure dew point must be at least 15 °C under ambient and medium temperature and may not exceed 3 °C .  
 The oil content of compressed air must remain constant during the life cycle.  
 Use only the approved oils from AVENTICS. Further information can be found in the "Technical information" document (available in the MediaCentre).

## Technical information

Material	
Base plate	Die-cast aluminum
Seal	Acrylonitrile butadiene rubber

## Dimensions

### Dimensions



## Dimensions

Part No.	E	F	G	H	J	K	W
R432037646	23	18	15.5	30	20	37.5	135
R432037648	39	39	60	41.5	38	42.5	143
R432037650	49	49	76	53	32	53	164



# ISO 5599-1, Base and end plates, Inch version

- standard ISO 5599-1
- Frame size ISO 1 ISO 2 ISO 3
- type C
- Compressed air connection output 3/8 NPT 1/2 NPT 3/4 NPT
- Can be assembled into blocks



Standards	ISO 5599-1
Working pressure min./max.	-1 ... 16 bar
Ambient temperature min./max.	-20 ... 70 °C
Medium temperature min./max.	-20 ... 70 °C
Medium	Compressed air
Direction of pneumatic port (1)	Both directions possible
Direction of pneumatic port (3,5)	Both directions possible
Exhaust type	Ports separated
Weight	See table below

## Technical data

Part No.	Frame size	Compressed air connection Output [2 / 4]	Weight
R432037640	ISO 1	3/8 NPT	0.592 kg
R432037642	ISO 2	1/2 NPT	1.04 kg
R432037644	ISO 3	3/4 NPT	1.89 kg

Scope of delivery incl. seal and mounting screws

## Technical information

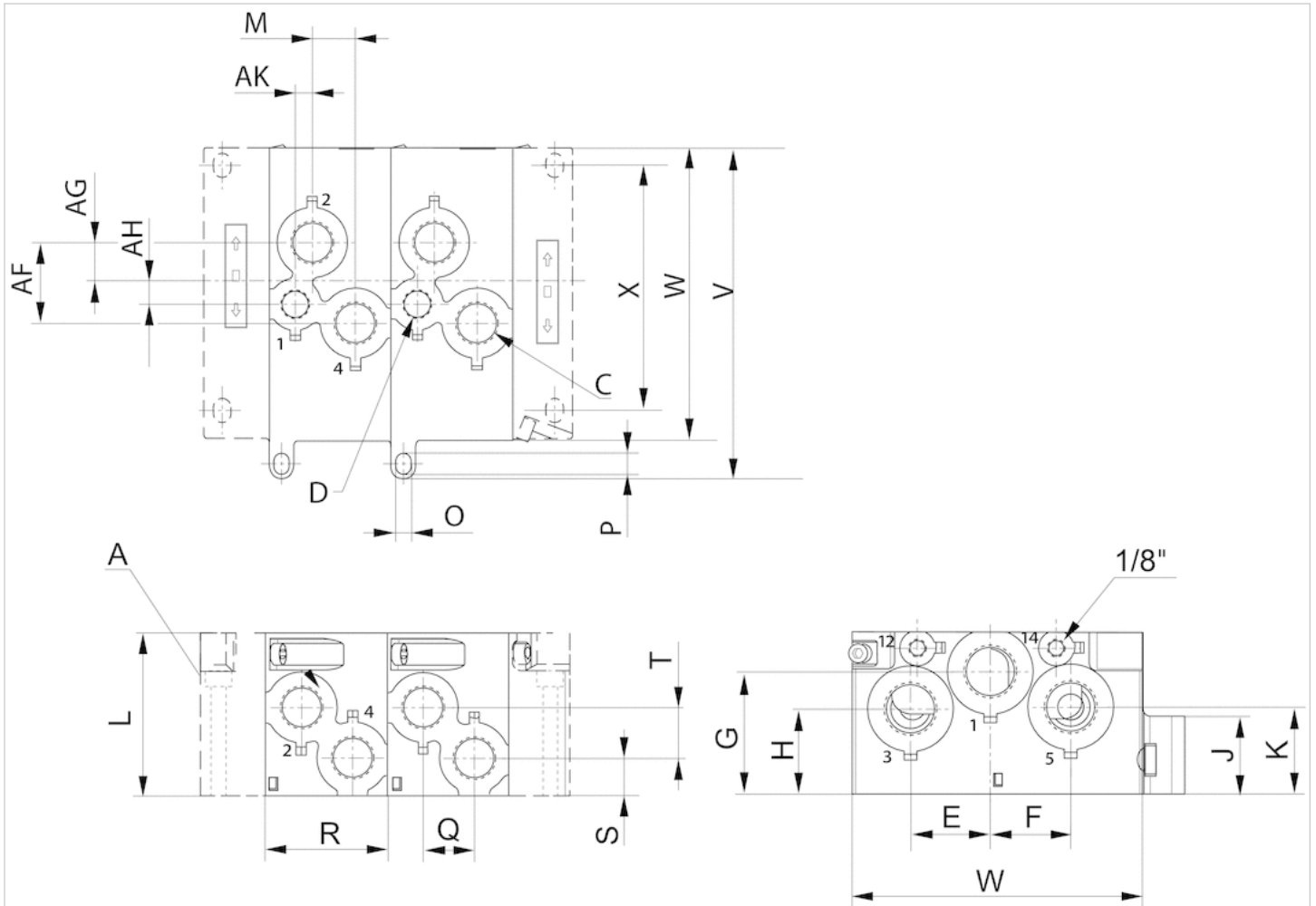
The min. control pressure must be adhered to, since otherwise faulty switching and valve failure may result!  
 The pressure dew point must be at least 15 °C under ambient and medium temperature and may not exceed 3 °C .  
 The oil content of compressed air must remain constant during the life cycle.  
 Use only the approved oils from AVENTICS. Further information can be found in the "Technical information" document (available in the MediaCentre).

## Technical information

Material	
Surface	painted
Base plate	Die-cast aluminum, black painted
Seal	Acrylonitrile butadiene rubber

## Dimensions

### Dimensions



A = left and right end plates in two versions

## Dimensions

Part No.	A	D	C	F	G	H	K	L	M	O	P	R	Q	S	T
R432037640	1/4 NPT	-	3/8 NPT	23.8	11.8	-	-	60.6	12	5.5	8.5	45	18	13.3	14.7
R432037642	1/2 NPT	3/8 NPT	1/2 NPT	39.5	19	11	8.2	79.7	21	5.5	9.3	59.5	25	18	24.8
R432037644	3/4 NPT	1/2 NPT	3/4 NPT	46.3	25.1	11.2	15.8	100	22.5	6.3	9.3	80	38	24.5	20.5

# Pressure plate for additional pressure supply

- standard ISO 5599-1
- Frame size ISO 1
- for 581, CERAM™



Standards  
Medium

ISO 5599-1  
Compressed air

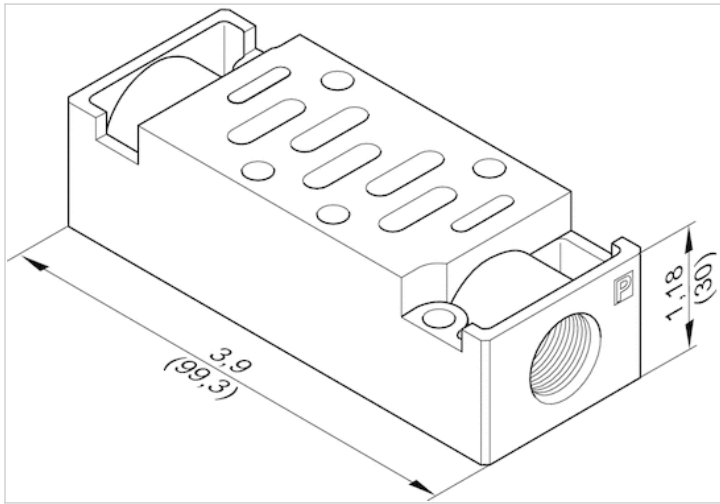
## Technical data

Part No.	Compressed air connection Input [1]
R432015767	3/8"

## Technical information

The min. control pressure must be adhered to, since otherwise faulty switching and valve failure may result!  
 The pressure dew point must be at least 15 °C under ambient and medium temperature and may not exceed 3 °C .  
 The oil content of compressed air must remain constant during the life cycle.  
 Use only the approved oils from AVENTICS. Further information can be found in the "Technical information" document (available in the MediaCentre).

## Dimensions



# Blanking plate

- standard ISO 5599-1

- Frame size ISO 1 ISO 2 ISO 3 ISO 4



Standards	ISO 5599-1
Working pressure min./max.	-1 ... 16 bar
Ambient temperature min./max.	-20 ... 70 °C
Medium temperature min./max.	-20 ... 70 °C
Medium	Compressed air
Number of valve positions max.	1
Weight	See table below

## Technical data

Part No.	Frame size	Weight
5801870000	ISO 1	0.055 kg
5802870000	ISO 2	0.1 kg
5803870000	ISO 3	0.21 kg
5804870000	ISO 4	0.27 kg

Scope of delivery incl. seal and mounting screws

## Technical information

The min. control pressure must be adhered to, since otherwise faulty switching and valve failure may result!

The pressure dew point must be at least 15 °C under ambient and medium temperature and may not exceed 3 °C .

The oil content of compressed air must remain constant during the life cycle.

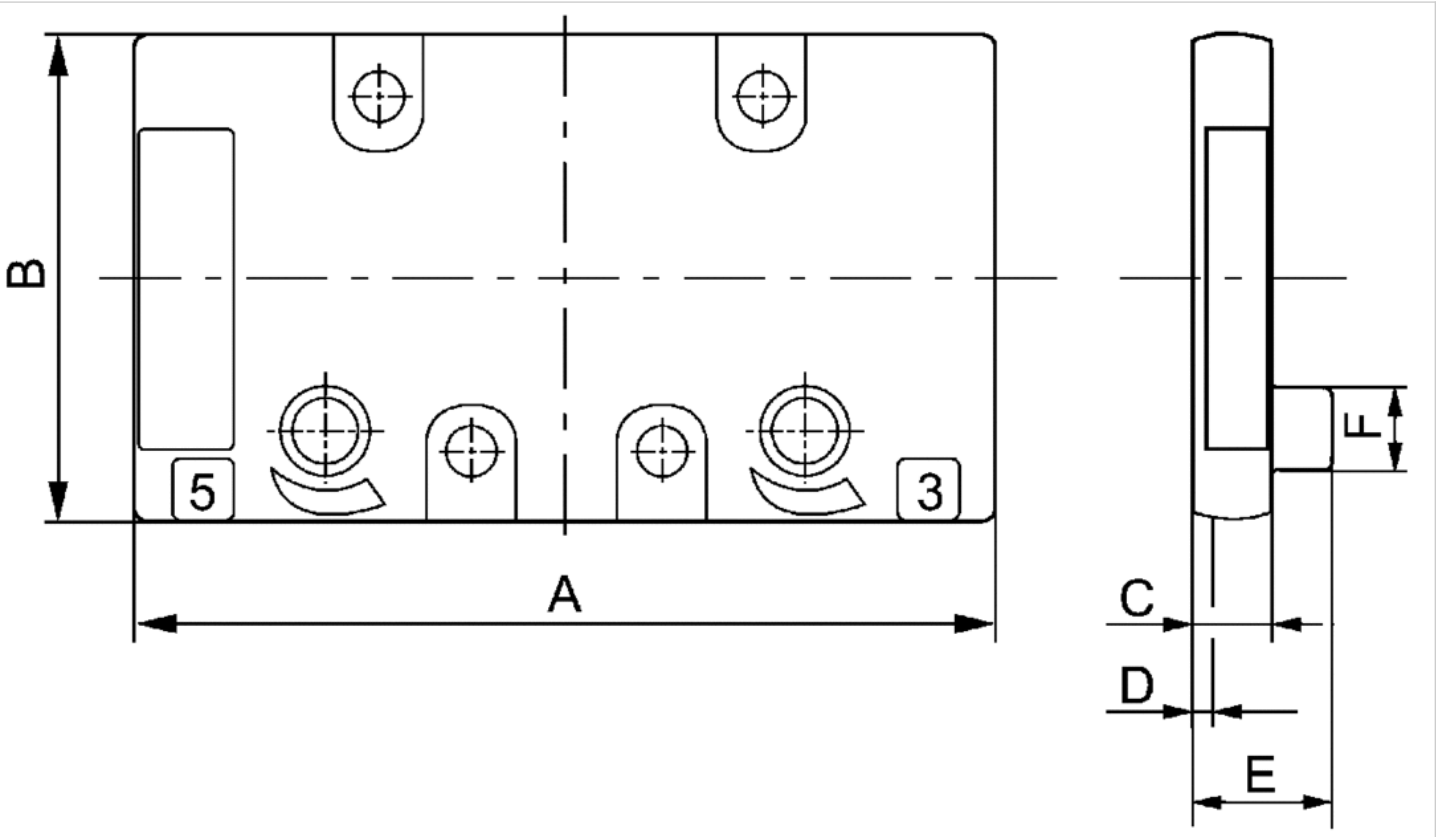
Use only the approved oils from AVENTICS. Further information can be found in the "Technical information" document (available in the MediaCentre).

## Technical information

Material	
Housing	Die-cast aluminum, black painted
Base plate	Die-cast aluminum
Seal	Acrylonitrile butadiene rubber

## Dimensions

### Dimensions



## Dimensions

Part No.	A	B	C	D	E	F	Weight
5801870000	69	39	7	2	–	–	0.055 kg
5802870000	86.4	49.4	9	2	–	–	0.1 kg
5803870000	116.5	63.5	10	2	15	12	0.21 kg
5804870000	142.5	74.5	10	2	20	15	0.27 kg

# Maintenance plate to exchange valve

- for 581
- size 1
- standard ISO 5599-1



standard	ISO 5599-1
Ambient temperature min./max.	-10 ... 50 °C
Medium	Compressed air
Max. particle size	50 µm
Oil content of compressed air	40 ... 400 mg/m³
Weight	0.2 kg

## Technical data

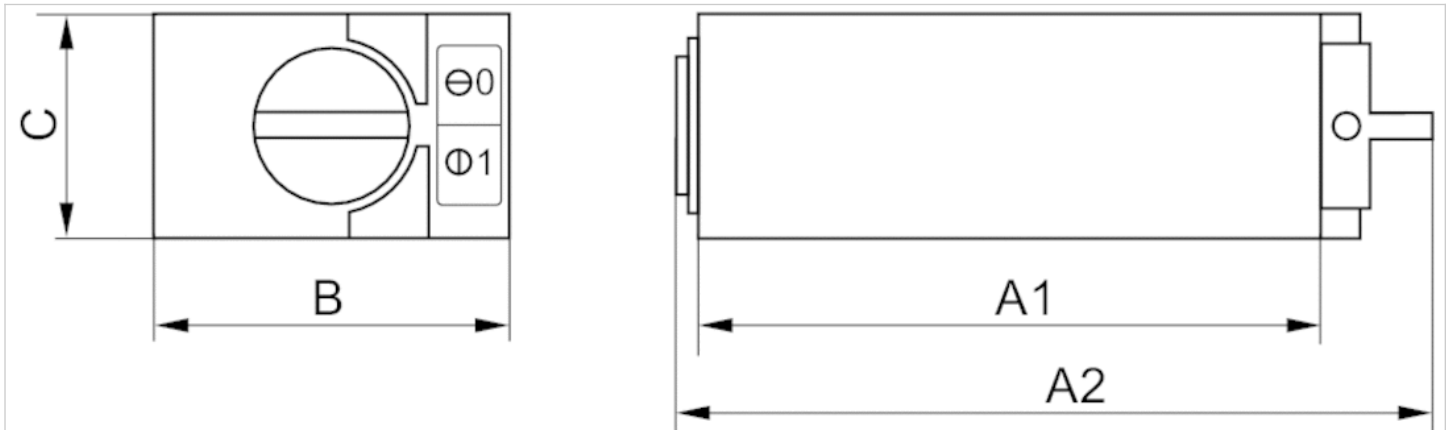
Part No.
5801590000

## Technical information

Material	
Housing	Aluminum, black anodized

## Dimensions

### Dimensions



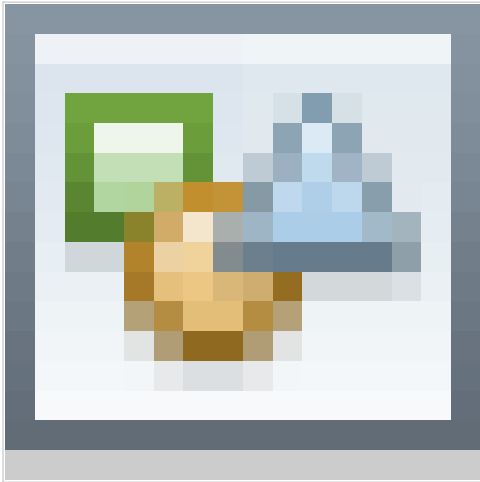
## Dimensions

Part No.	A1	A2	B	C
5801590000	70	85	40	25



# Pressure regulator for vertical stacking





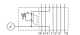
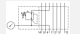

- standard ISO 5599-1
- Frame size ISO 1
- Controlled port 1 2 4 2, 4



Working pressure min./max.	16 bar
Adjustment range min./max.	0.5 ... 12 bar
Ambient temperature min./max.	5 ... 50 °C
Medium	Compressed air
Max. particle size	5 µm
Oil content of compressed air	0 ... 5 mg/m <sup>3</sup>
Weight	See table below

The delivered product may vary from that in the illustration.

## Technical data

Part No.		Frame size	Controlled port	Weight	Fig.	
<b>0821302048</b>		ISO 1	1	1.15 kg	Fig. 1	1)
0821302060		ISO 1	1	1.19 kg	Fig. 1	2)
0821302054		ISO 1	2	1.15 kg	Fig. 1	1)
0821302062		ISO 1	2	1.19 kg	Fig. 1	2)
0821302057		ISO 1	4	1.15 kg	Fig. 1	1)
0821302063		ISO 1	4	1.19 kg	Fig. 1	2)
0821302051		ISO 1	2, 4	1.57 kg	Fig. 2	1)
0821302061		ISO 1	2, 4	1.61 kg	Fig. 2	2)

Scope of delivery incl. seal and mounting screws, pressure regulator without gauge adapter, cannot be combined with IS12 ISO valves

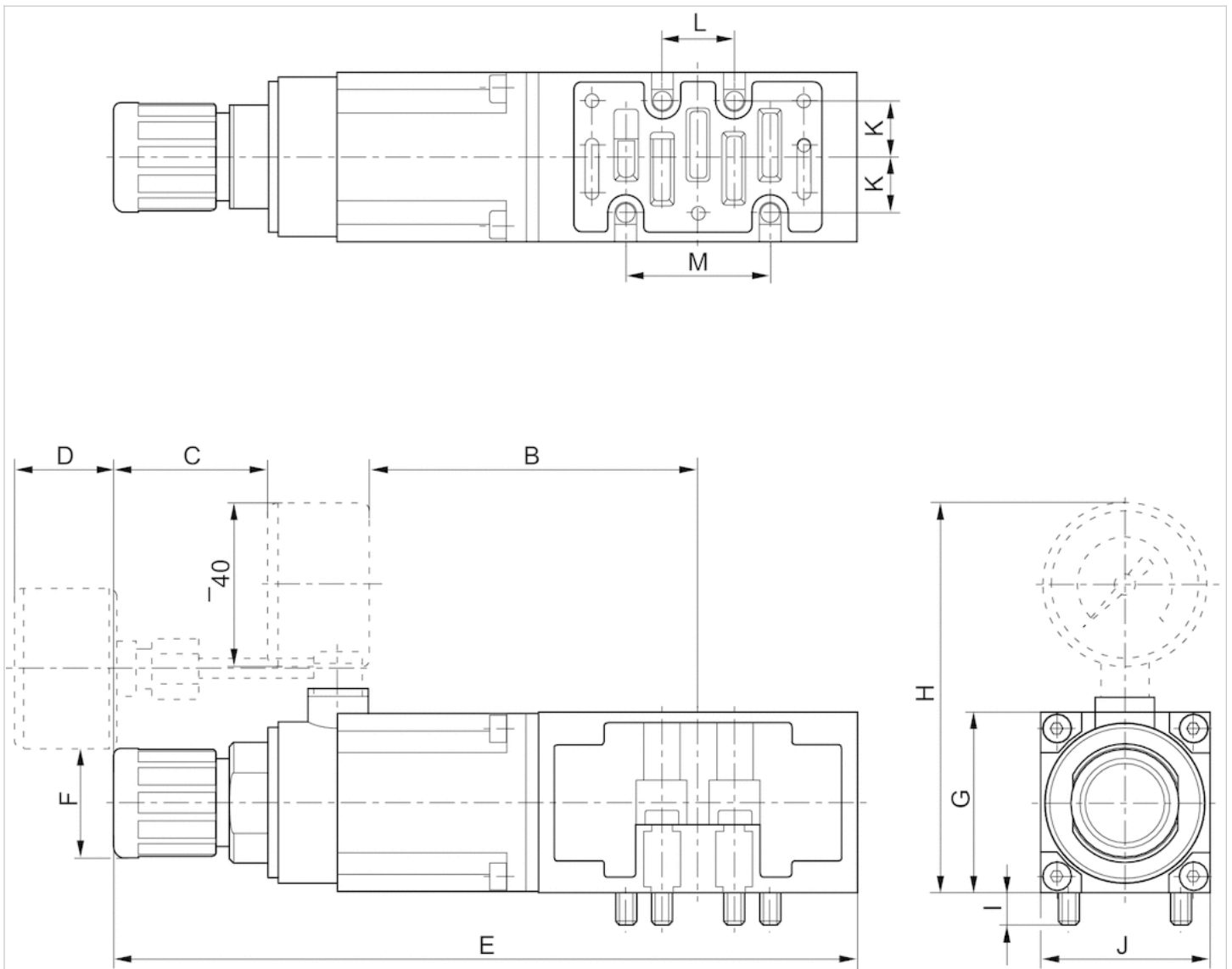
- 1) with pressure gauge
- 2) with pressure gauge and adapter

## Technical information

Material	
Housing	Zinc
Seals	Butadiene rubber

## Dimensions

Fig. 1

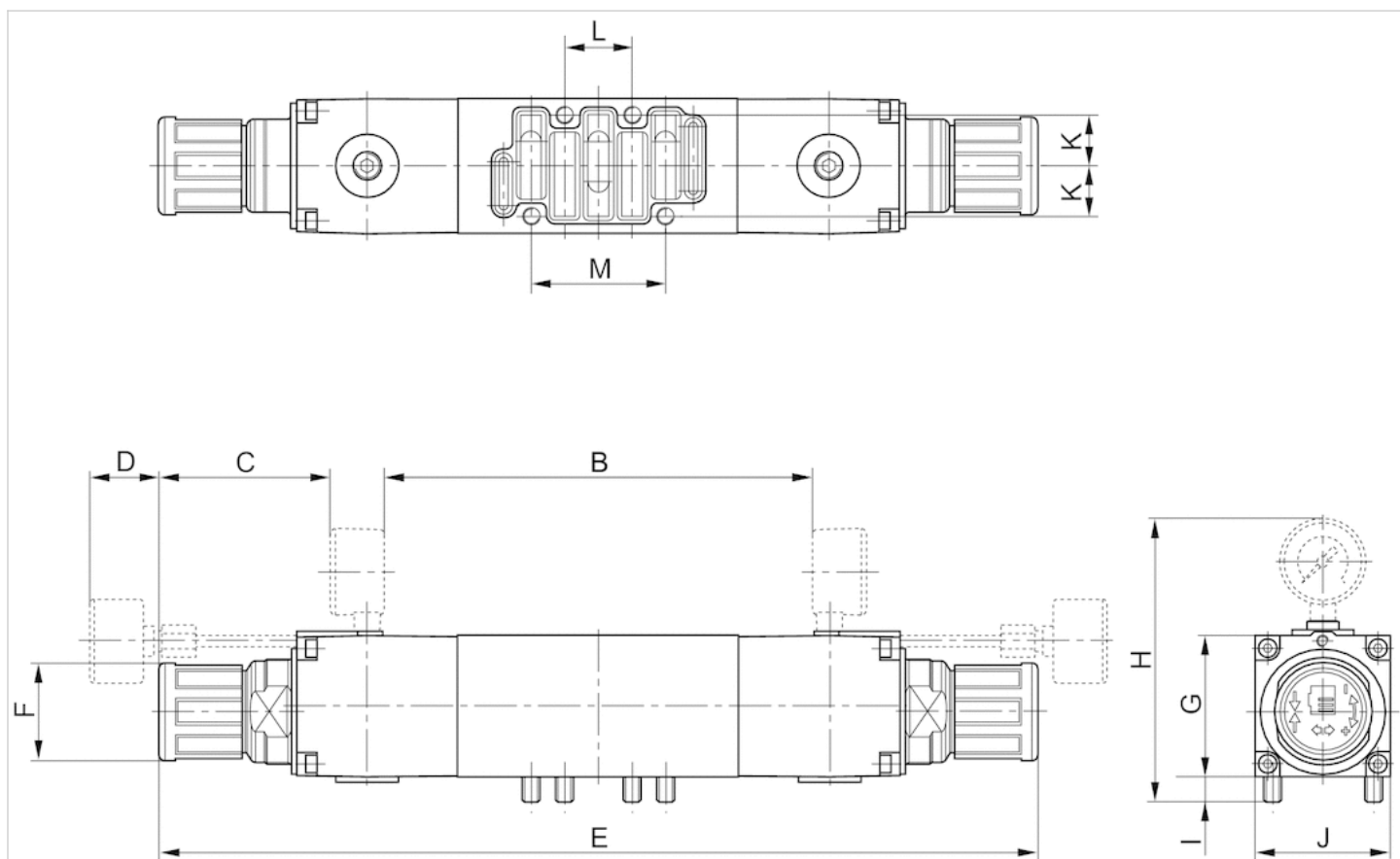


## Dimensions

Part No.	B±5	C±5	D±5	E±7	Ø F	G±5	H±5	I±2.5	J±5	K±2.5	L±2.5	M±5
0821302048	82	38,6	—	186	27	45	97,5	8	42.5	14	18	36
0821302060	—	—	25	186	27	45	97,5	8	42.5	14	18	36
0821302054	82	38,5	—	199	27	45	97,5	8	42.5	14	18	36
0821302062	—	—	25	199	27	45	97,5	8	42.5	14	18	36

## Dimensions

Fig. 2

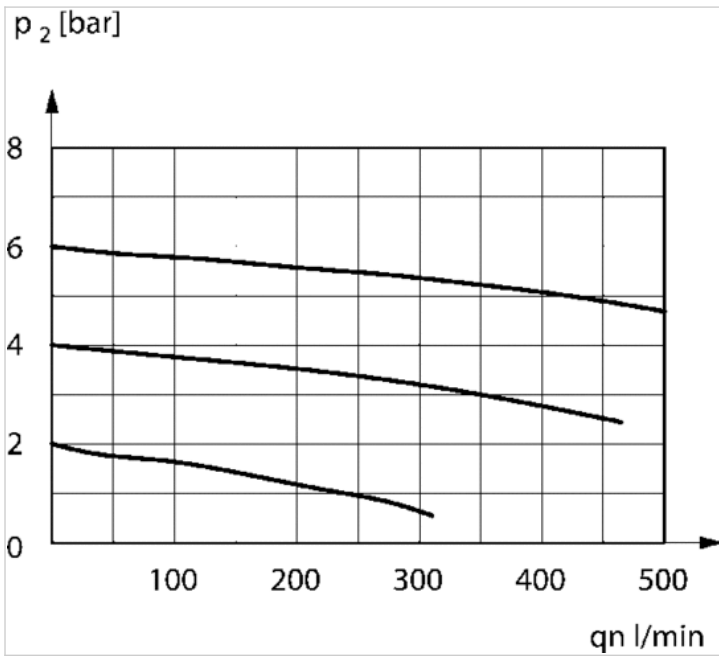


## Dimensions

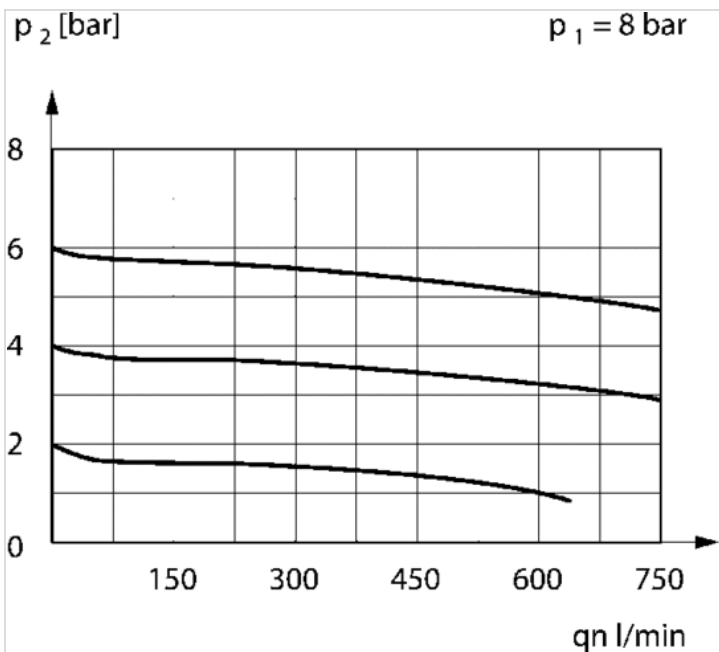
Part No.	B±5	C±5	D±5	E±7	Ø F	G±5	H±5	I±2.5	J±5	K±2.5	L±2.5	M±5
0821302051	164	38,6	—	292	27	45	96,5	8	42.5	14	18	36
0821302061	—	—	25	292	27	45	—	8	42.5	14	18	36

# Diagrams

## Flow rate characteristic



controlled connection 1  
 Controlled connection 2  
 Controlled connection 4



Controlled connection 2/4

# Valve plug connector, series CON-VP

- Socket, 2+E, angled, 90° Socket, 3+E, angled, 90°

- EN 175301-803








- unshielded

- with LED Yellow Red Green green/red



Connection type	Screws
Ambient temperature min./max.	-40 ... 90 °C
Operational voltage	See table below
Protection class	IP65
Mounting screw tightening torque	0.4 Nm
Weight	See table below

## Technical data

Part No.		Electrical connection	Operational voltage	Max. current
		1		
1834484048		Socket 2+E angled 90°	-	10 A
1834484059		Socket 3+E angled 90°	-	10 A
1834484101		Socket 2+E angled 90°	24 V AC/DC	-
1834484102		Socket 2+E angled 90°	110 V AC	-
1834484103		Socket 2+E angled 90°	230 V AC	-
8941016112		Socket 2+E angled 90°	230 V AC	-
8941012462		Socket 3+E angled 90°	24 V DC	8 A

Part No.	Protective circuit	Contact assignment	LED status display	suitable cable-Ø min./max
1834484048	-	2+E	-	6 / 8 mm
1834484059	-	3+E	-	6 / 8 mm
1834484101	Z-diode	2+E	Yellow	6 / 8 mm
1834484102	Varistor	2+E	Red	6 / 8 mm
1834484103	Varistor	2+E	Red	6 / 8 mm
8941016112	Varistor	2+E	Green	6 / 10 mm
8941012462	-	3+E	green/red	4.5 / 11 mm

Part No.	Seal	Weight	
1834484048	caoutchouc/butadiene caoutchouc	0.03 kg	1)
1834484059	caoutchouc/butadiene caoutchouc	0.03 kg	1)
1834484101	Silicone caoutchouc	0.03 kg	2)
1834484102	caoutchouc/butadiene caoutchouc	0.03 kg	1)
1834484103	Silicone caoutchouc	0.025 kg	1)
8941016112	caoutchouc/butadiene caoutchouc	0.03 kg	1)
8941012462	caoutchouc/butadiene caoutchouc	0.03 kg	2)

- 1) Profile seal
- 2) Flat gasket

## Technical information

The specified protection class is only valid in assembled and tested state.

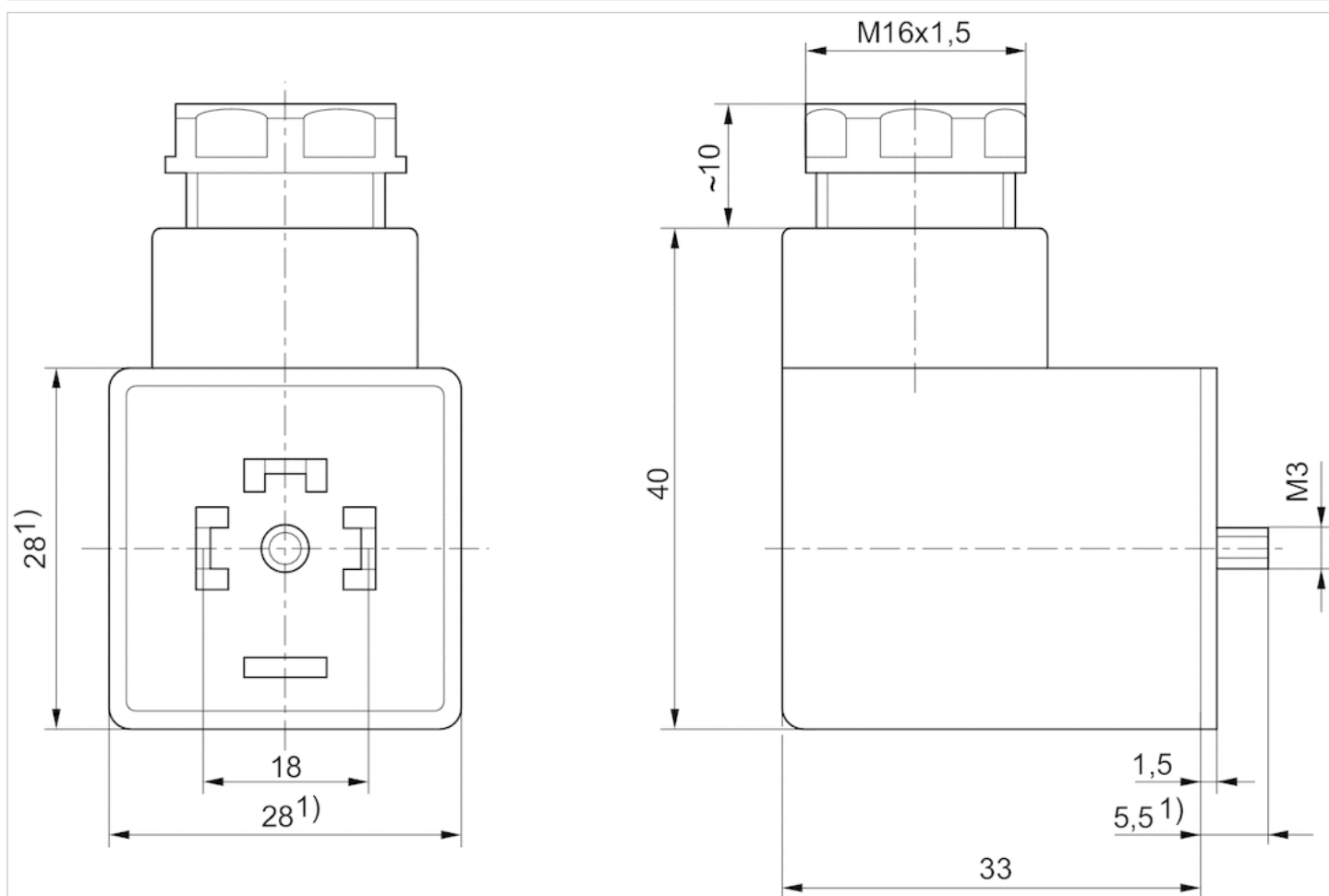
## Technical information

### Material

Seals	caoutchouc/butadiene caoutchouc Silicone caoutchouc
-------	---

## Dimensions

### Dimensions



1) Max.

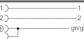
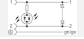



# Valve plug connector, series CON-VP

- Socket form A 2+E angled 90°
- open cable ends 3-pin
- with cable
- unshielded



Ambient temperature min./max.	-20 ... 80 °C
Operational voltage	See table below
Protection class	IP67
Wire cross-section	0.75 mm <sup>2</sup>
Mounting screw tightening torque	0.4 Nm
Weight	See table below

## Technical data

Part No.		Operational voltage	Protective circuit	Contact assignment	LED status display
1834484160		230 V AC/DC	-	2+E	-
1834484162		24 V AC/DC	Z-diode	2+E	Yellow
1834484163		24 V AC/DC	Z-diode	2+E	Yellow
1834484164		230 V AC/DC	Varistor	2+E	Red
1834484165		230 V AC/DC	Varistor	2+E	Red

Part No.	Number of wires	Cable-Ø	Cable length	Weight	Fig.	
1834484160	3	5.9 mm	3 m	0.2 kg	Fig. 1	1)
1834484162	3	5.9 mm	3 m	0.2 kg	Fig. 2	-
1834484163	3	5.9 mm	5 m	0.31 kg	Fig. 2	-
1834484164	3	5.9 mm	3 m	0.2 kg	Fig. 2	-
1834484165	3	5.9 mm	5 m	0.31 kg	Fig. 2	-

1) Scope of delivery incl. flat gasket

## Technical information

The specified protection class is only valid in assembled and tested state.

## Technical information

Material	
Seals	caoutchouc/butadiene caoutchouc
Cable sheath	Polyvinyl chloride

## Dimensions

Fig. 1

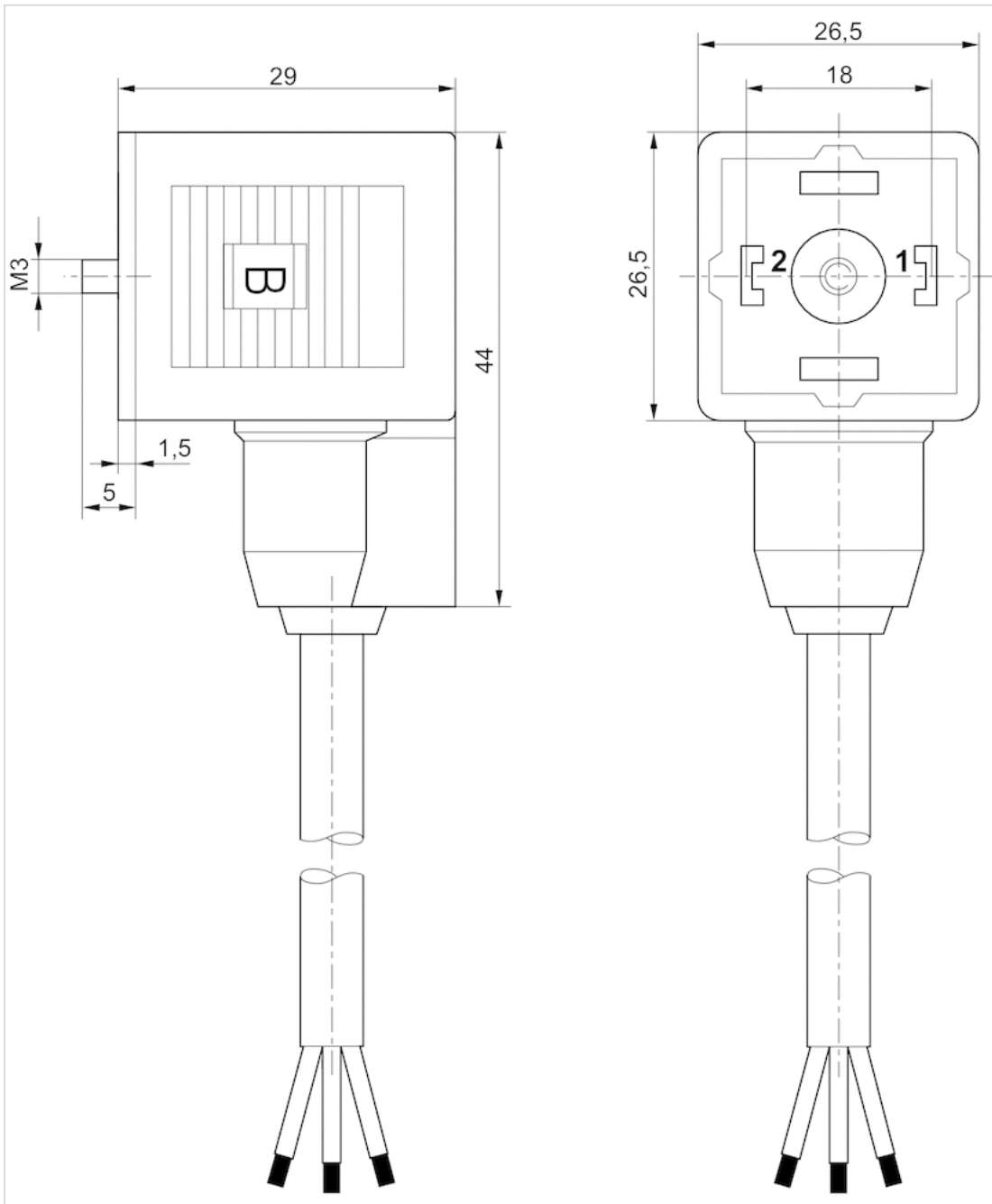
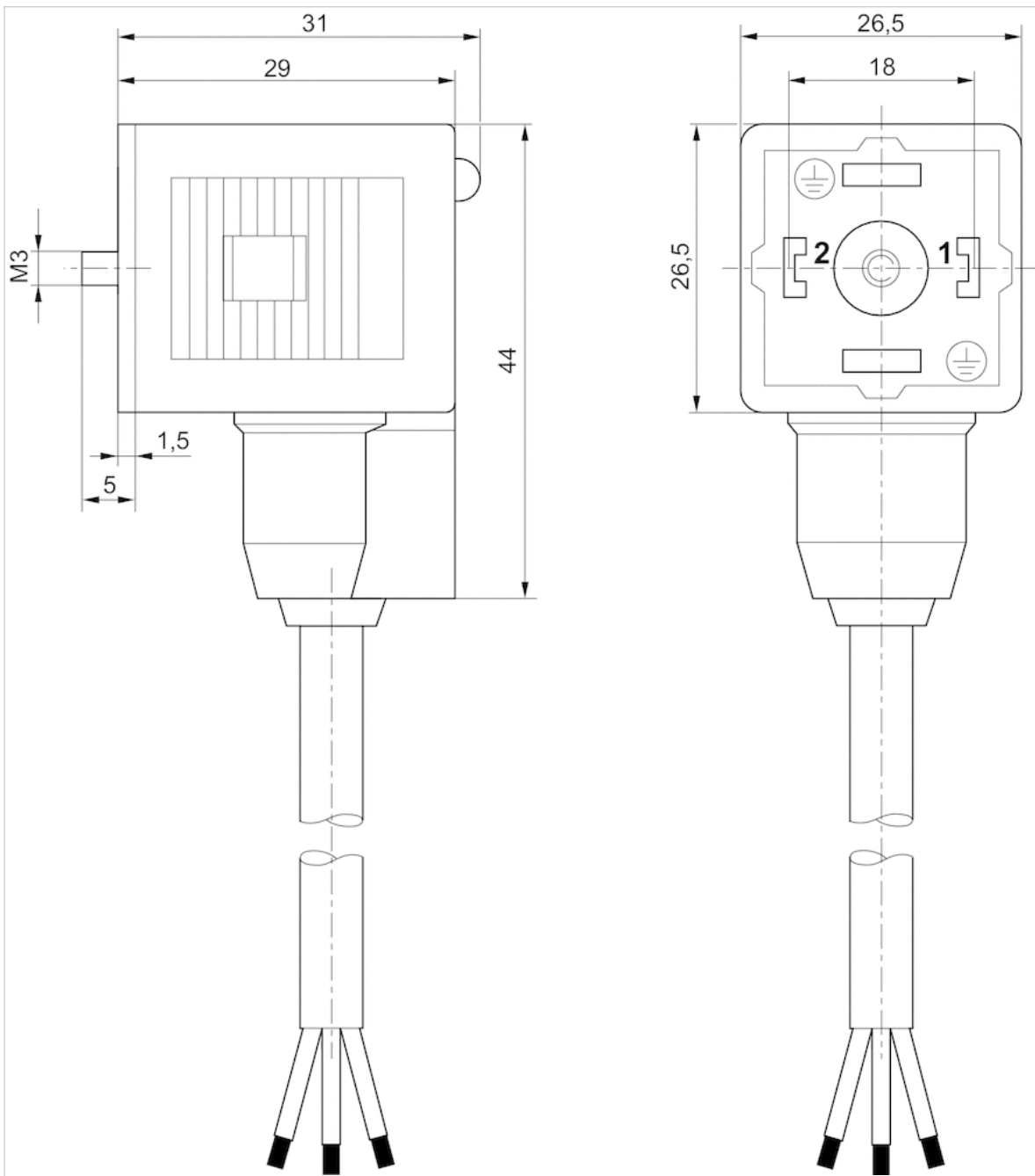




Fig. 2

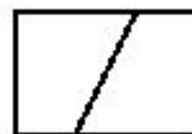


# Coil, Series CO1

## R432011985

Coils, Series CO1

- Coil widths 15, 22 and 30 mm
- Electr. control: M8, form A, form B, form BI, form C
- ATEX optional



### Technical data

Industry  
Industrial

Coil width  
30 mm

Max. ambient temperature  
50 °C

Connector standard  
EN 175301-803, form A

Protection class  
IP65

Duty cycle ED  
100 %

Compatibility index  
14

Electrical connection 2  
Plug

Number of poles  
3-pin

Operational voltage AC at 50 Hz  
110 V

Operational voltage AC at 60 Hz  
110 V

Voltage tolerance DC  
-10% / +10%

Holding power AC 50 Hz  
3.7 VA

Holding power AC 60 Hz  
3.7 VA

Weight  
0.096 kg

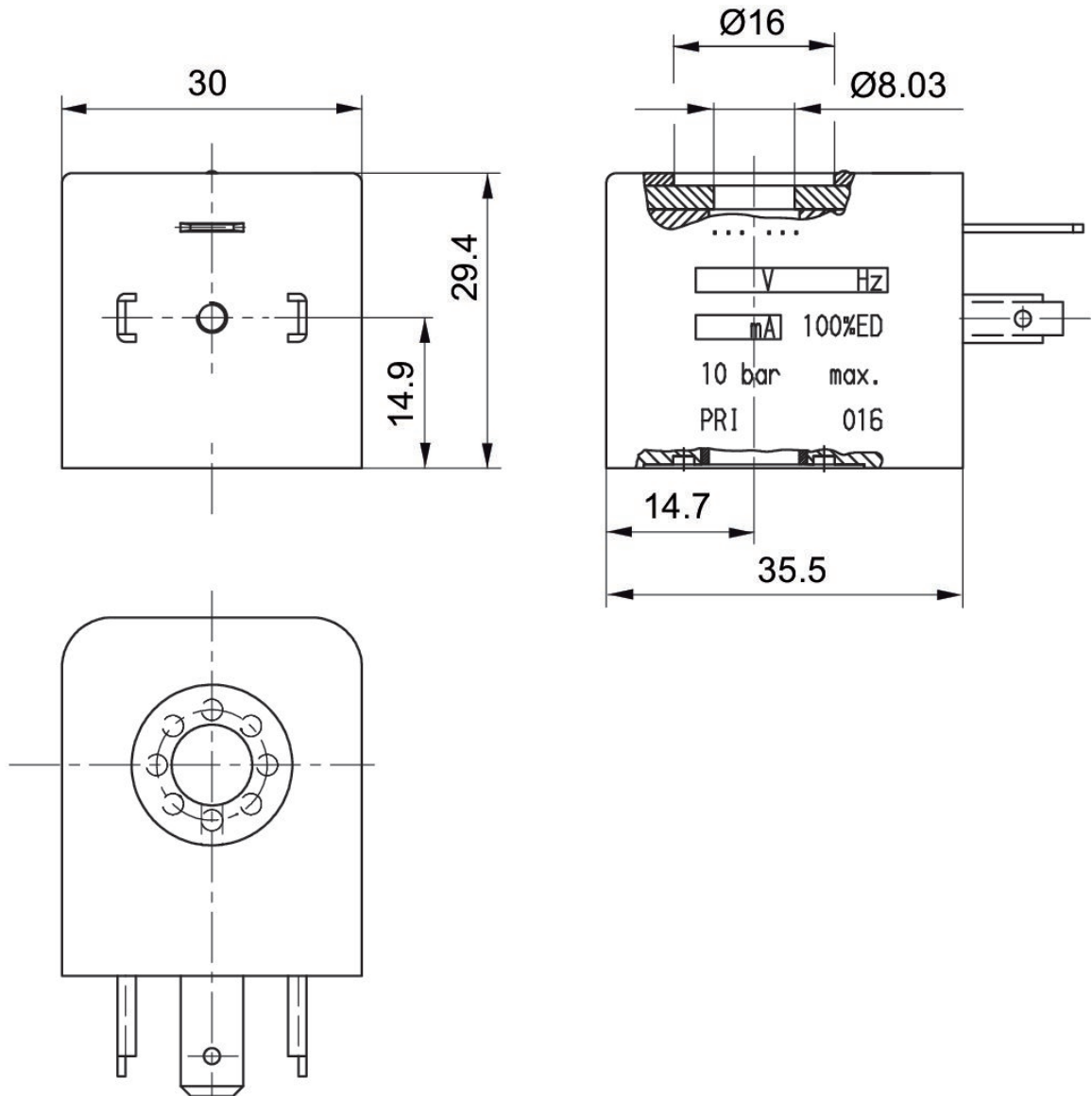
### Material

Housing  
Thermoplastic elastomer

Part No.  
R432011985

## Technical information

## Dimensions



# Coil, Series CO1

R432011986

Coils, Series CO1

- Coil widths 15, 22 and 30 mm
- Electr. control: M8, form A, form B, form BI, form C
- ATEX



## Technical data

Industry  
Industrial

Coil width  
30 mm

Max. ambient temperature  
50 °C

Connector standard  
EN 175301-803, form A

Protection class  
IP65

Duty cycle ED  
100 %

Compatibility index  
14

Electrical connection 2  
Plug

Number of poles  
3-pin

Operational voltage AC at 50 Hz  
220 V

Operational voltage AC at 60 Hz  
220 V

Voltage tolerance DC  
-10% / +10%

Holding power AC 50 Hz  
3.7 VA

Holding power AC 60 Hz  
3.7 VA

Weight  
0.096 kg

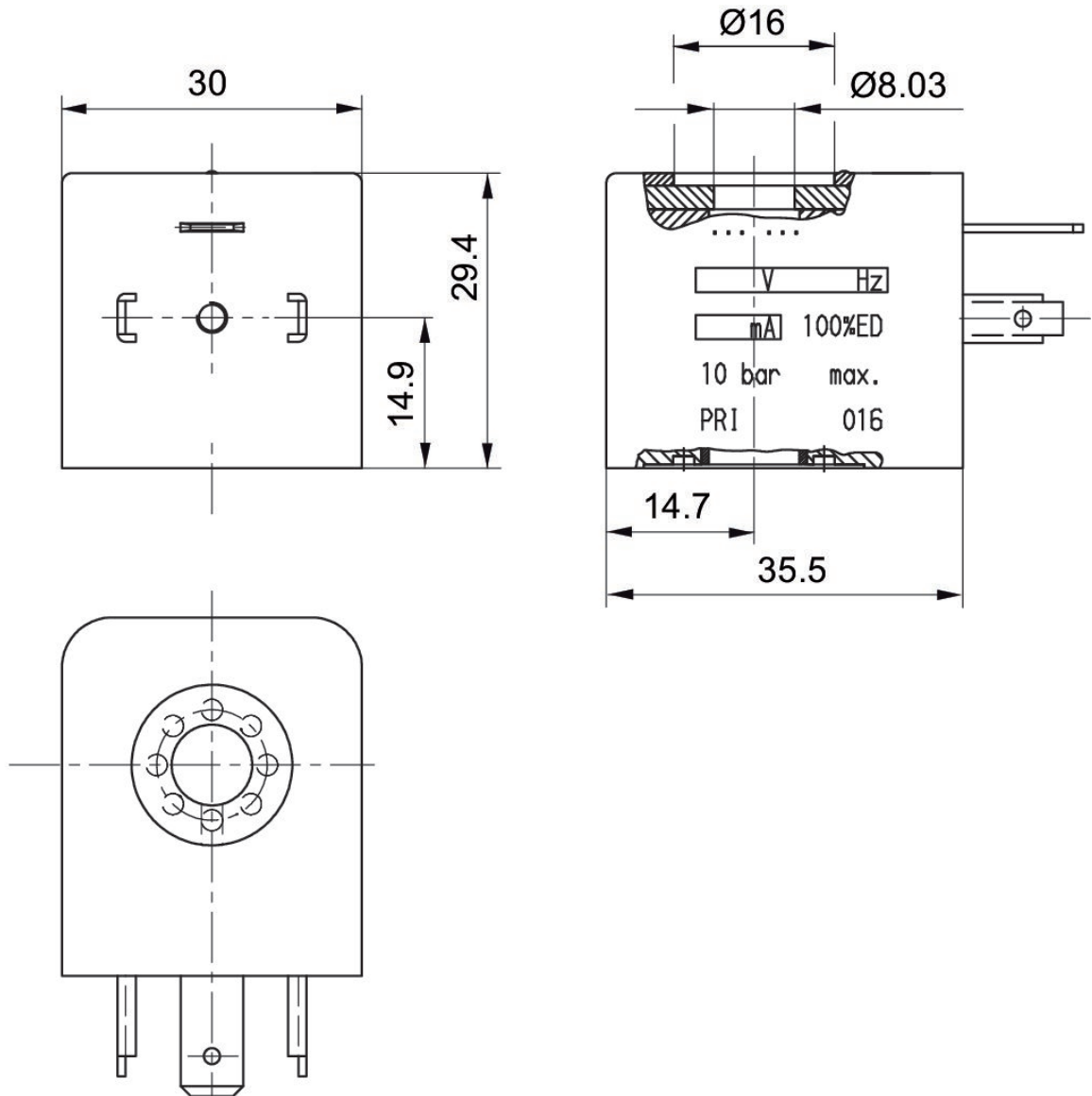
## Material

Housing  
Thermoplastic elastomer

Part No.  
R432011986

## Technical information

## Dimensions



# Coil, Series CO1

R432011989

Coils, Series CO1

- Coil widths 15, 22 and 30 mm
- Electr. control: M8, form A, form B, form BI, form C
- ATEX optional



## Technical data

Industry  
Industrial

Coil width  
30 mm

Max. ambient temperature  
50 °C

Connector standard  
EN 175301-803, form A

Protection class  
IP65

Duty cycle ED  
100 %

Compatibility index  
14

Electrical connection 2  
Plug

Number of poles  
3-pin

DC operating voltage  
24 V

Voltage tolerance DC  
-10% / +10%

Power consumption DC  
2.7 W

Weight  
0.096 kg

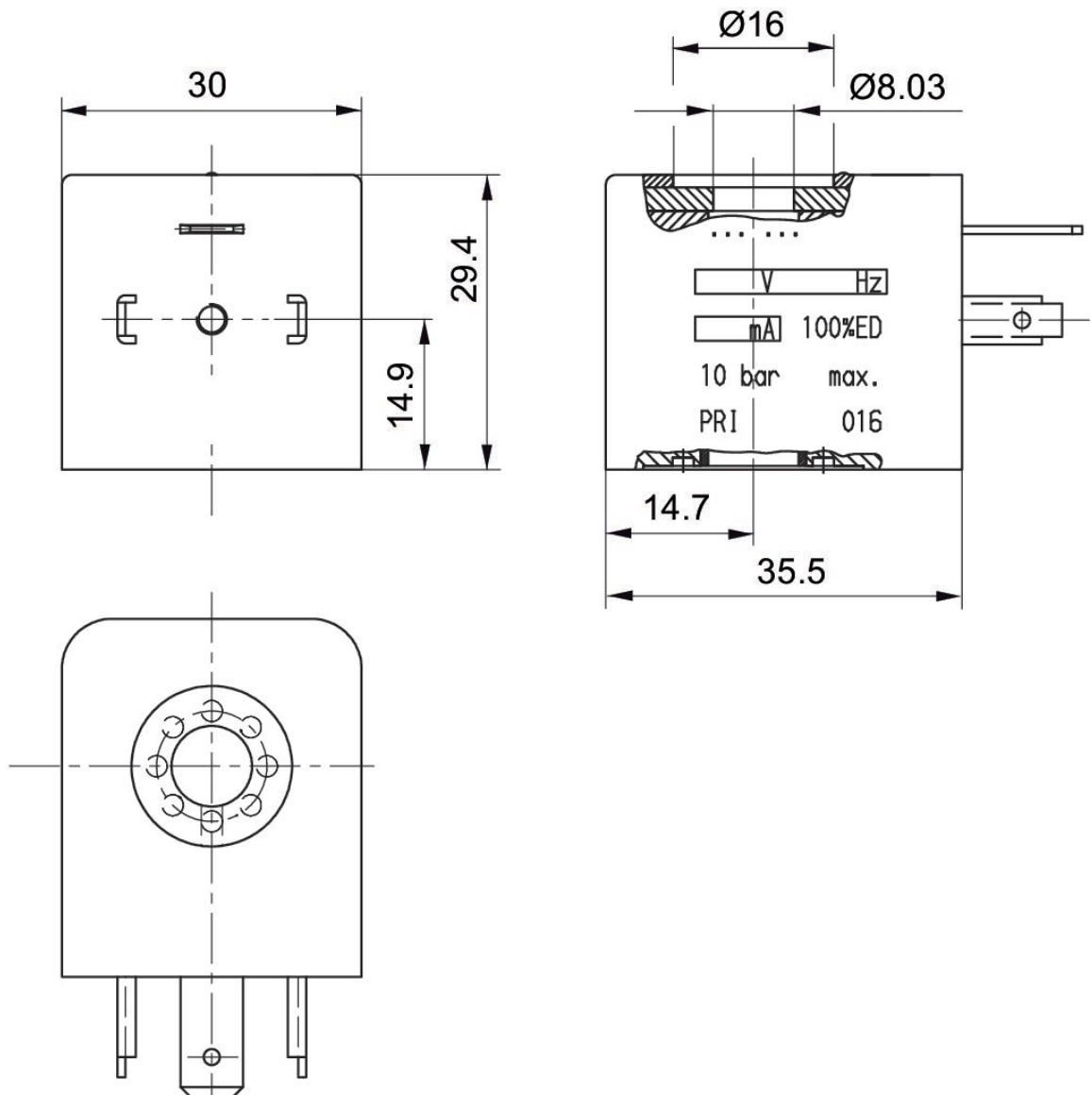
## Material

Housing  
Thermoplastic elastomer

Part No.  
R432011989

## Technical information

## Dimensions



# Coil, Series CO1

R432011990

Coils, Series CO1

- Coil widths 15, 22 and 30 mm
- Electr. control: M8, form A, form B, form BI, form C
- ATEX optional



## Technical data

Industry  
Industrial

Coil width  
30 mm

Max. ambient temperature  
50 °C

Connector standard  
EN 175301-803, form A

Protection class  
IP65

Duty cycle ED  
100 %

Compatibility index  
14

Electrical connection 2  
Plug

Number of poles  
3-pin

Operational voltage AC at 50 Hz  
24 V

Operational voltage AC at 60 Hz  
24 V

Voltage tolerance DC  
-10% / +10%

Holding power AC 50 Hz  
3.7 VA

Holding power AC 60 Hz  
3.7 VA

Weight  
0.096 kg

## Material

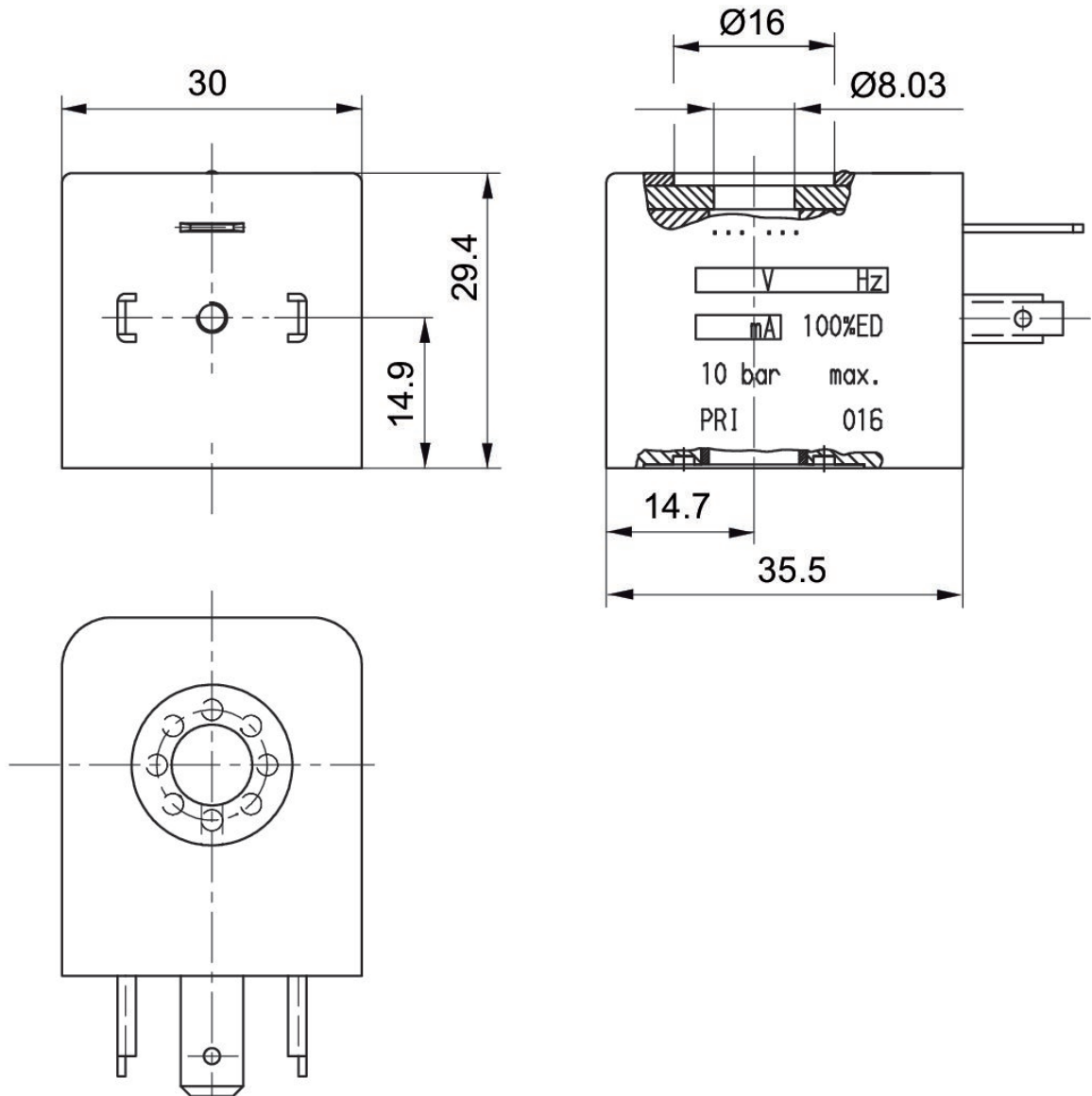


Housing  
Thermoplastic elastomer

Part No.  
R432011990

## Technical information

## Dimensions



# Efficient pneumatic solutions, our program: cylinders and drives, valves and valve systems, air supply management



Visit us: [Emerson.com/Aventics](https://www.emerson.com/Aventics)

Your local contact: [Emerson.com/contactus](https://www.emerson.com/contactus)



Emerson.com



[Facebook.com/EmersonAutomationSolutions](https://www.facebook.com/EmersonAutomationSolutions)



[LinkedIn.com/company/Emerson-Automation-Solutions](https://www.linkedin.com/company/Emerson-Automation-Solutions)



[Twitter.com/EMR\\_Automation](https://twitter.com/EMR_Automation)

An example configuration is depicted on the title page. The delivered product may thus vary from that in the illustration. Subject to change. This Document, as well as the data, specifications and other information set forth in it, are the exclusive property of AVENTICS GmbH. It may not be reproduced or given to third parties without its consent. Only use the AVENTICS products shown in industrial applications. Read the product documentation completely and carefully before using the product. Observe the applicable regulations and laws of the respective country. When integrating the product into applications, note the system manufacturer's specifications for safe use of the product. The data specified only serve to describe the product. No statements concerning a certain condition or suitability for a certain application can be derived from our information. The information given does not release the user from the obligation of own judgment and verification. It must be remembered that the products are subject to a natural process of wear and aging.

The Emerson logo is a trademark and service mark of Emerson Electric Co. Brand logotype are registered trademarks of one of the Emerson family of companies. All other marks are the property of their respective owners. © 2017 Emerson Electric Co. All rights reserved.  
2019-03



## CONSIDER IT SOLVED™